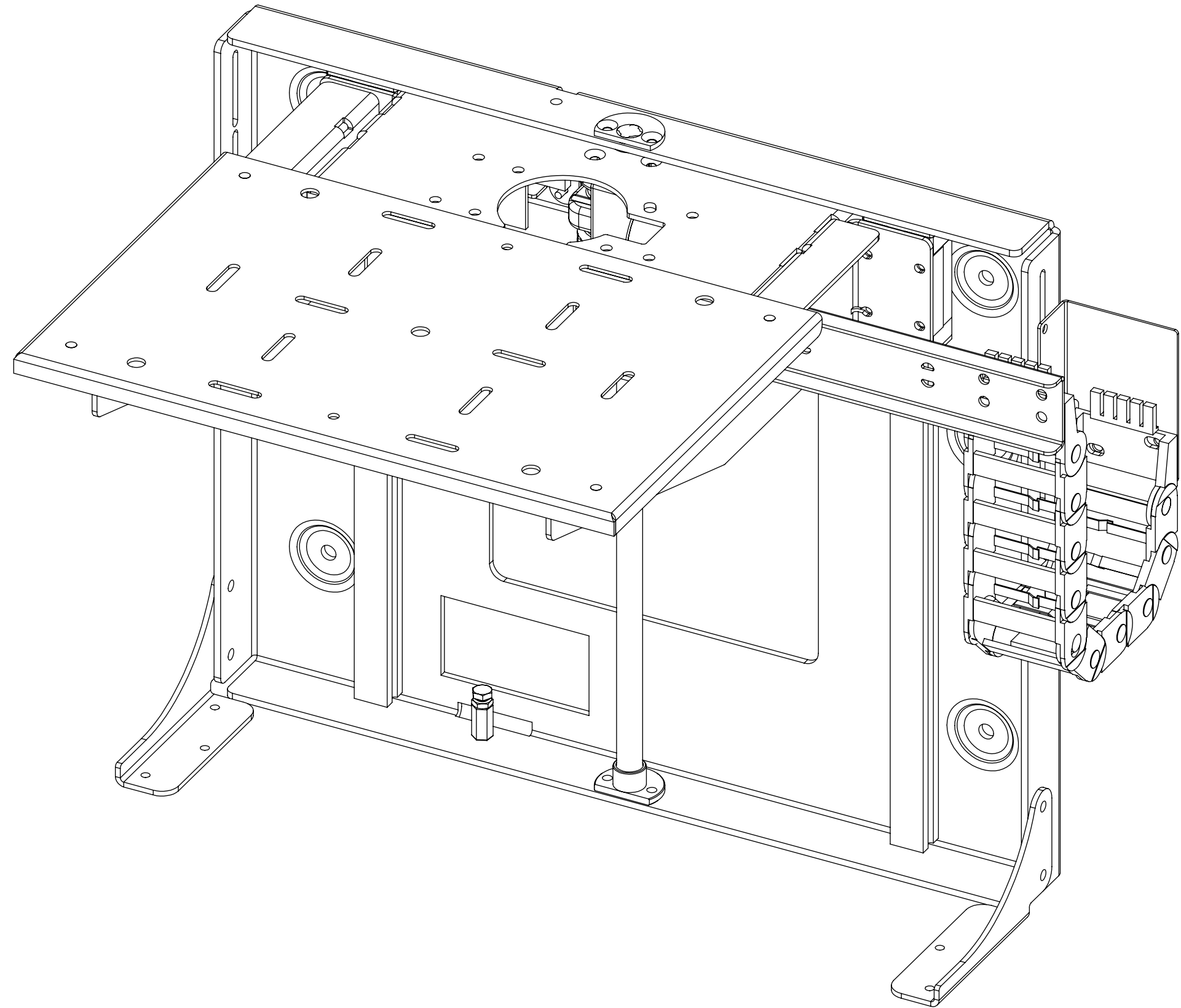


BL BOX LIFT



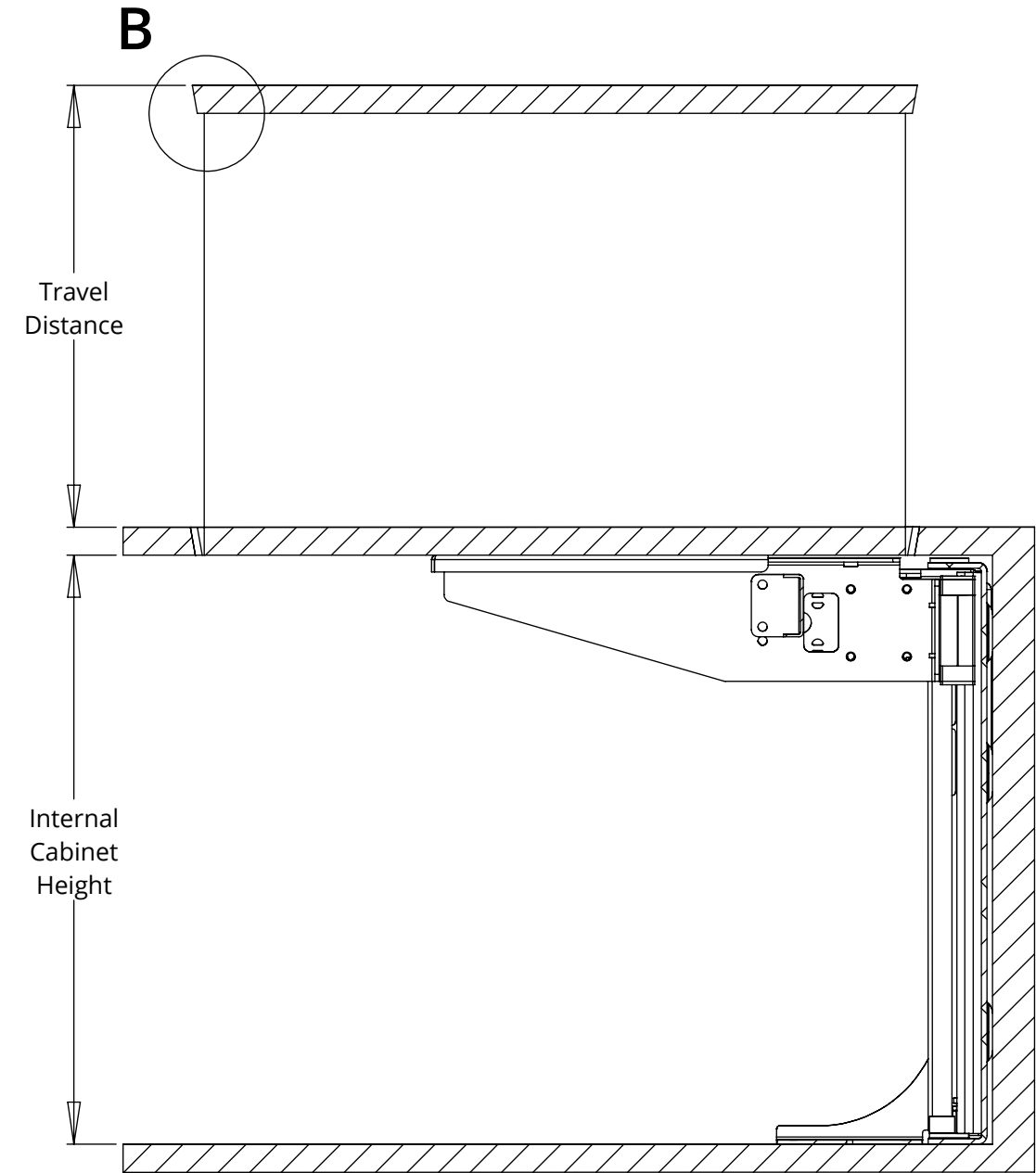
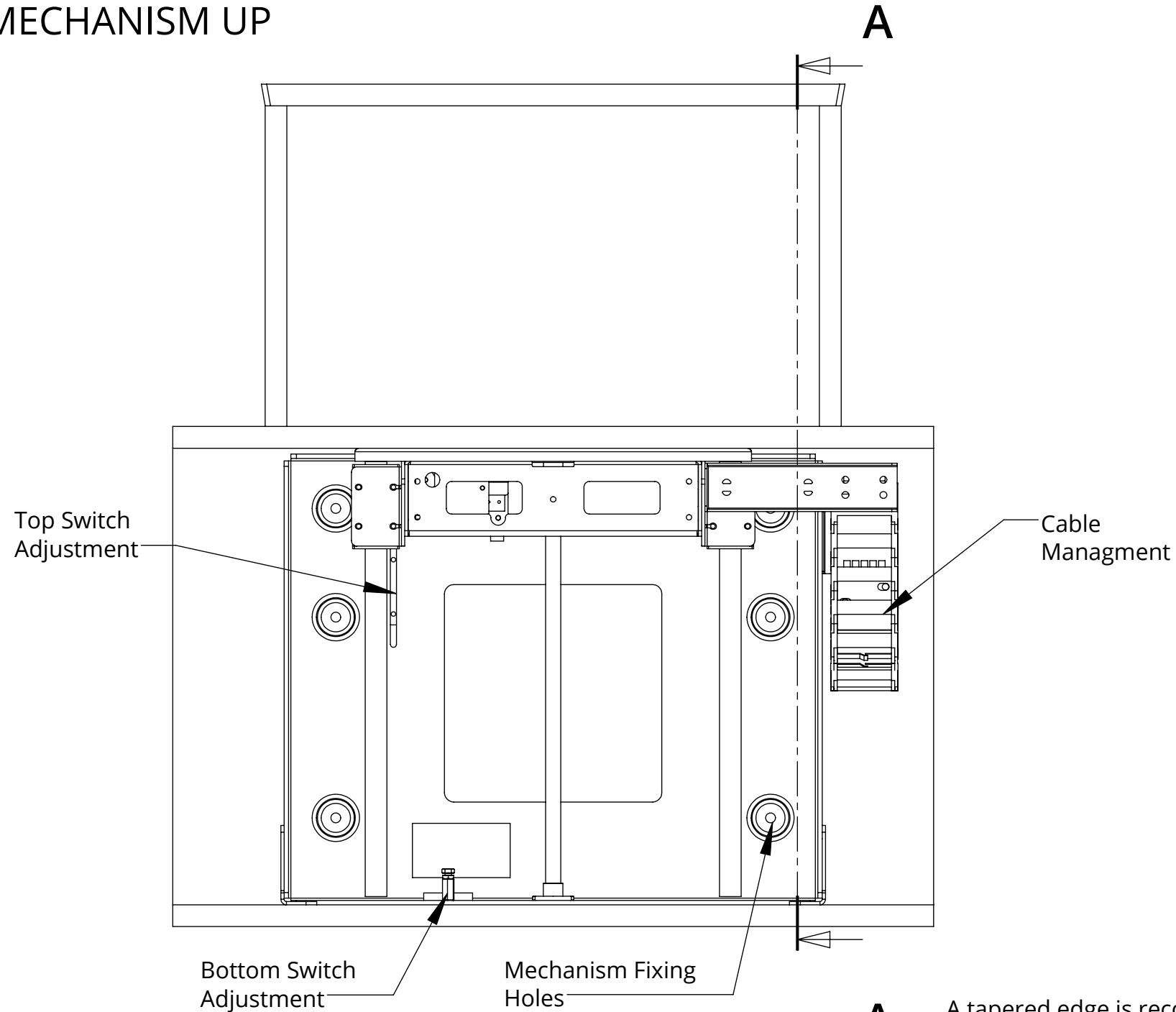
BL BOX LIFT



SPECIFICATION	MEASUREMENTS
Product Dimensions	420mm (16.5") H x 567mm (22.3") W x 400mm (15.75") D 540mm (21.3") H x 567mm (22.3") W x 400mm (15.75") D 660mm (26.0") H x 567mm (22.3") W x 400mm (15.75") D
Maximum Weight Capacity	40Kg (85lb)
Maximum Travel	315mm (12.4") 435mm (17.1") 555mm (21.9")
Movement Type	Motorised
Power Supply Required	110V - 240V AC
Power Consumption Max.	120W
Power Consumption Standby	3W
Control Options	IR Remote, RS232, Contact Closure
Product Options / Features	Custom RAL paint finishes, Custom height/travel
Package Contents	Mechanism, IR remote control
Marine Suitable	Yes (Indoor)

BL BOX LIFT

MECHANISM UP



A

A tapered edge is recommended on the Lid of the Box to help it locate in the DOWN position.

The lid can be mounted to the top of the Box with a loose dowel joint. This will reduce the risk of injury if a hand is placed inside the Box during operation.

SECTION A-A

DETAIL B

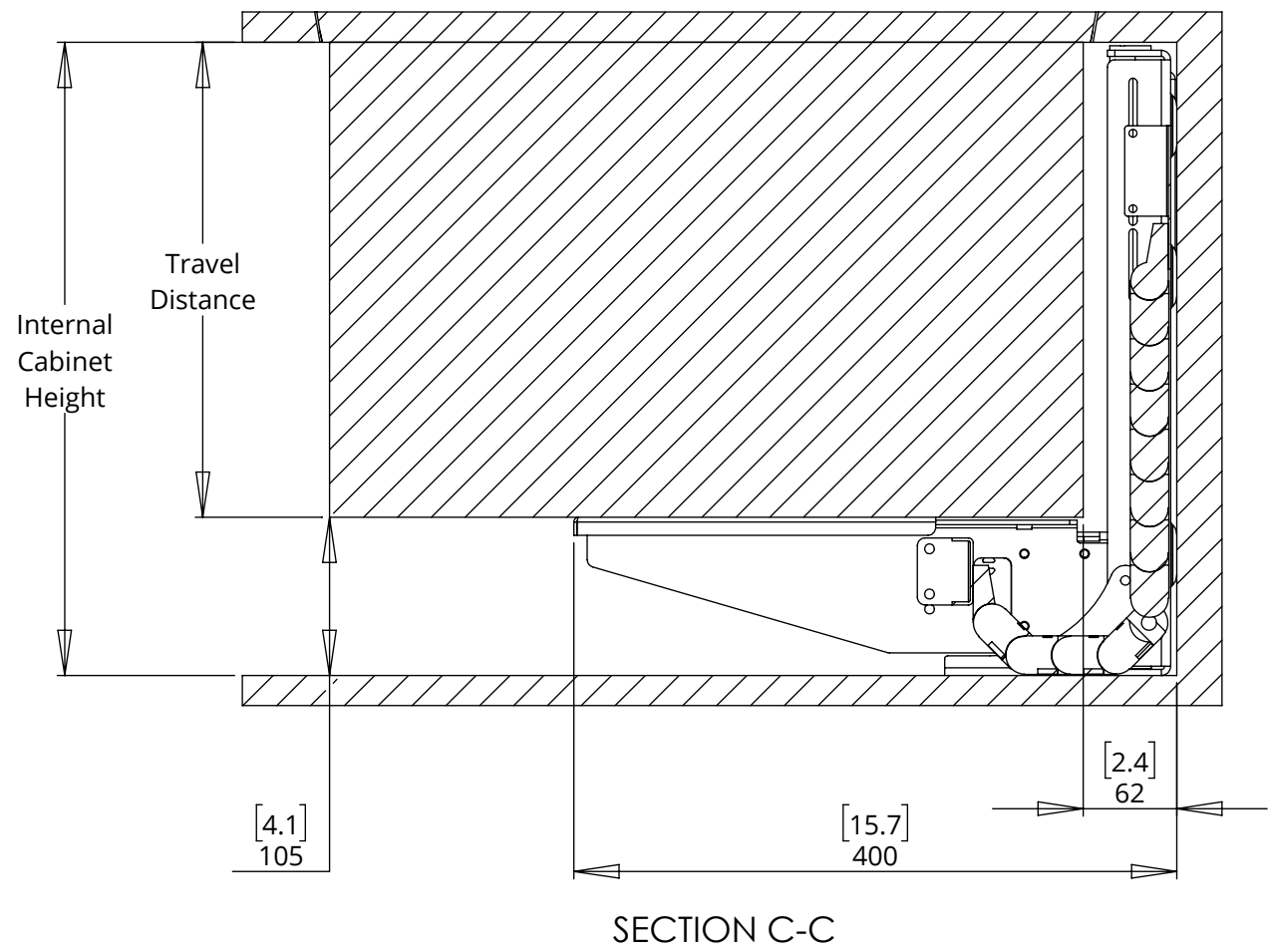
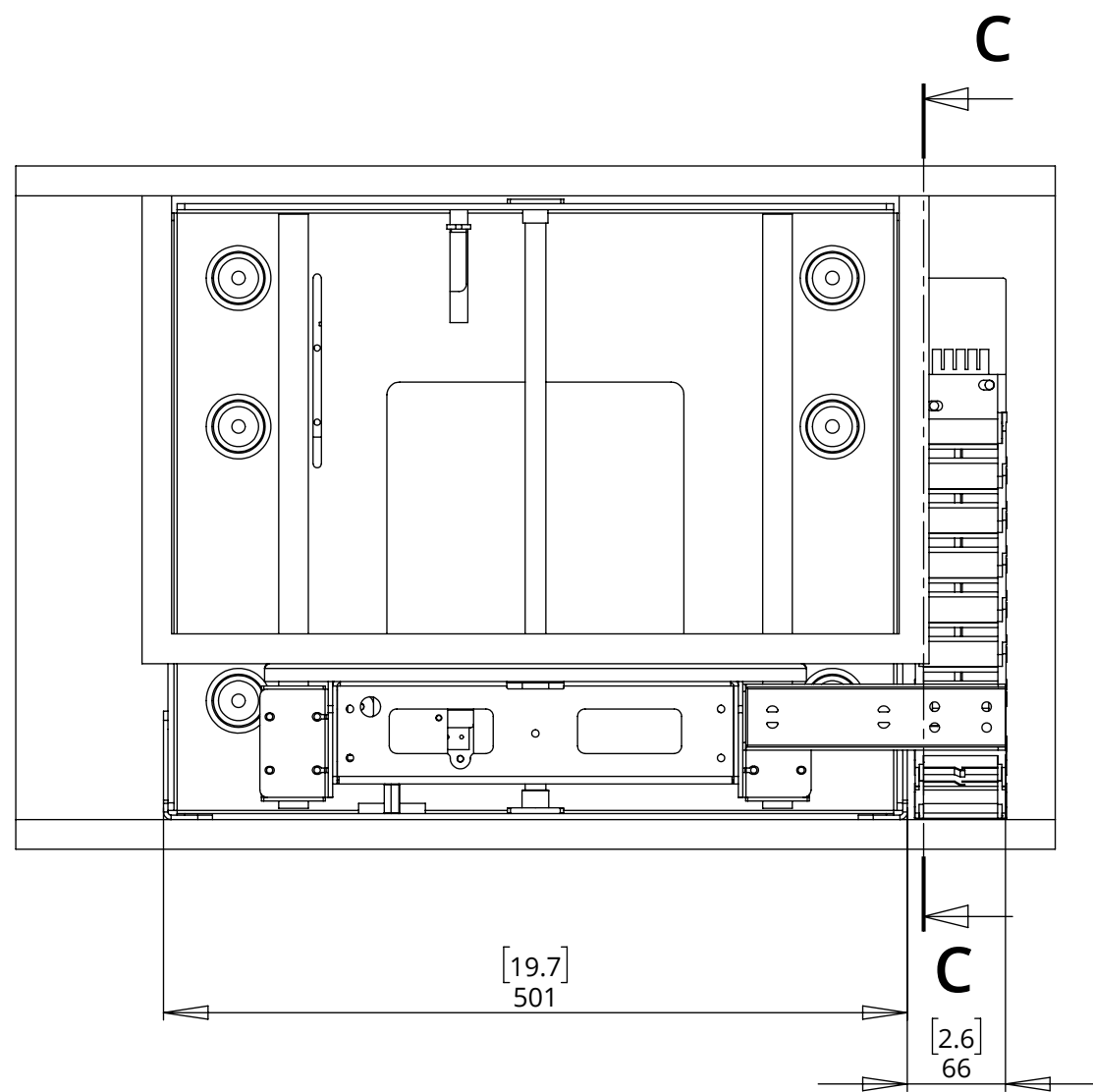
INTERNAL CABINET HEIGHT	TRAVEL DISTANCE
H420 [16.5"]	315mm [12.4"]
H540 [21.3"]	435mm [17.1"]
H660 [26.0"]	555mm [21.9"]

Use this chart to pick from one of three standard sizes

TRAVEL DISTANCE = INTERNAL HEIGHT - 105mm [4.1"].

BL BOX LIFT

MECHANISM DOWN



INTERNAL CABINET HEIGHT	TRAVEL DISTANCE
H420 [16.5"]	315mm [12.4"]
H540 [21.3"]	435mm [17.1"]
H660 [26.0"]	555mm [21.9"]

Use this chart to pick from one of three standard sizes
TRAVEL DISTANCE = INTERNAL HEIGHT - 105mm [4.1"].

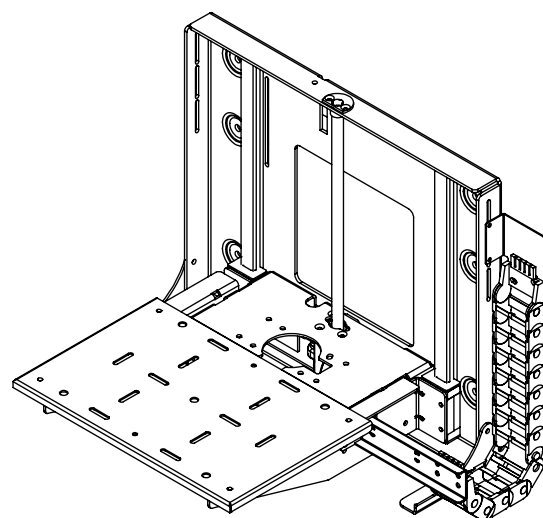
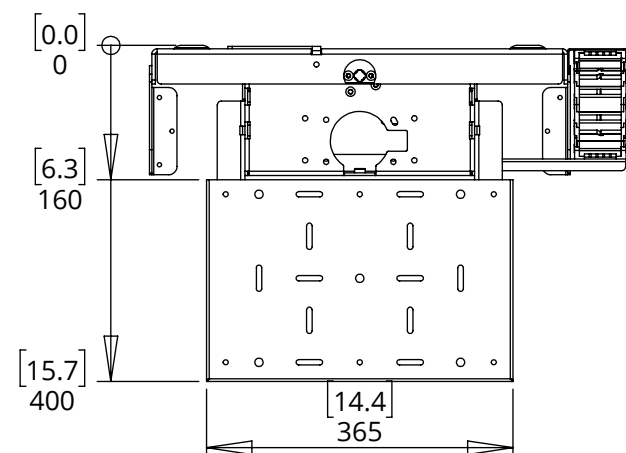
BL BOX LIFT



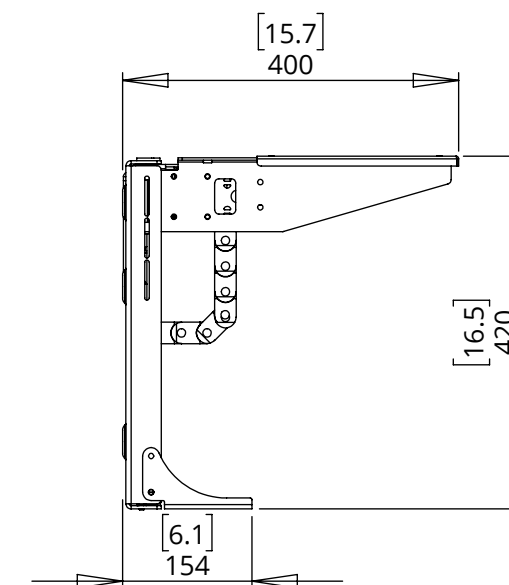
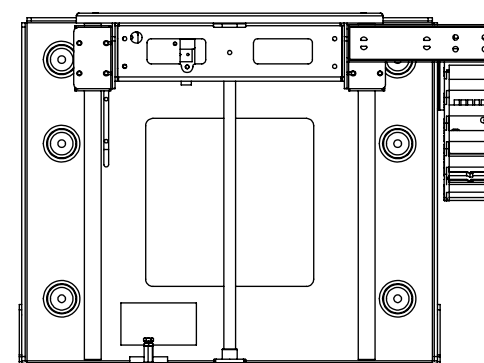
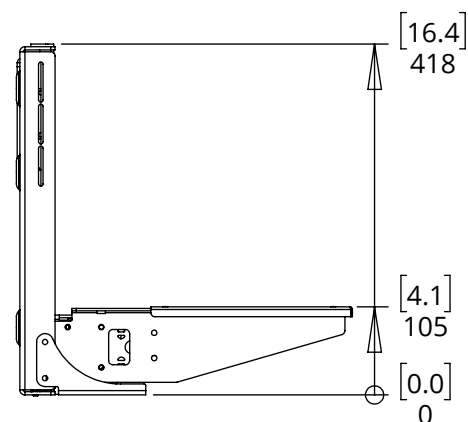
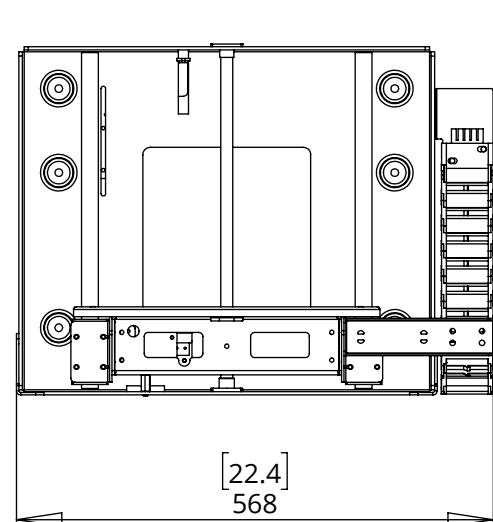
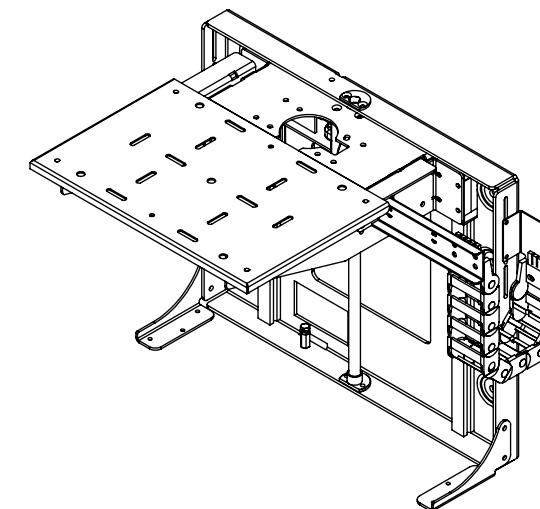
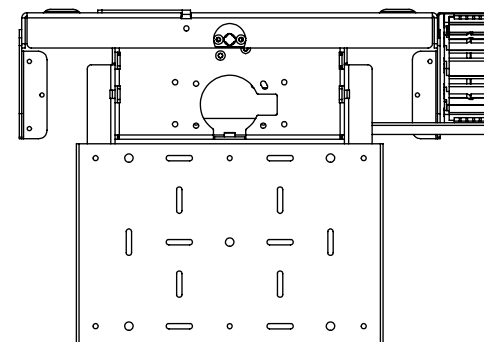
future automation

GENERAL DIMENSIONS - H420

UP POSITION



DOWN POSITION



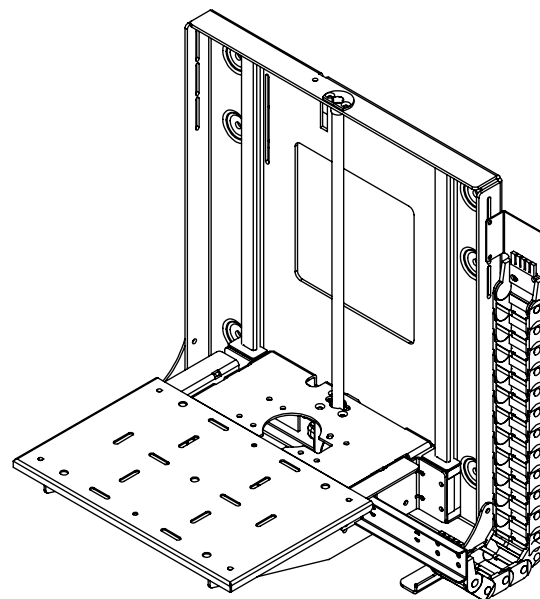
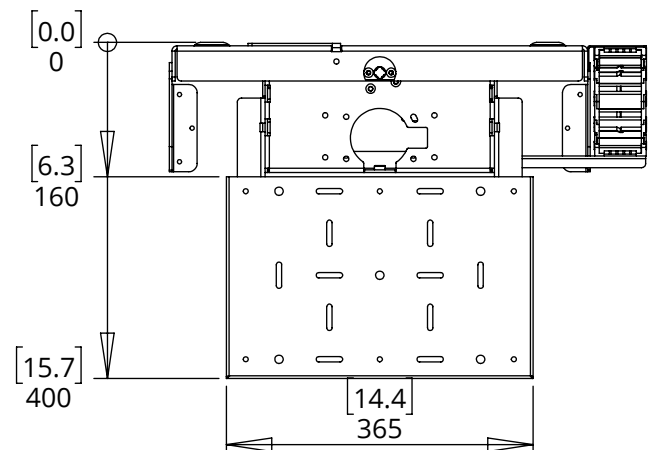
BL BOX LIFT



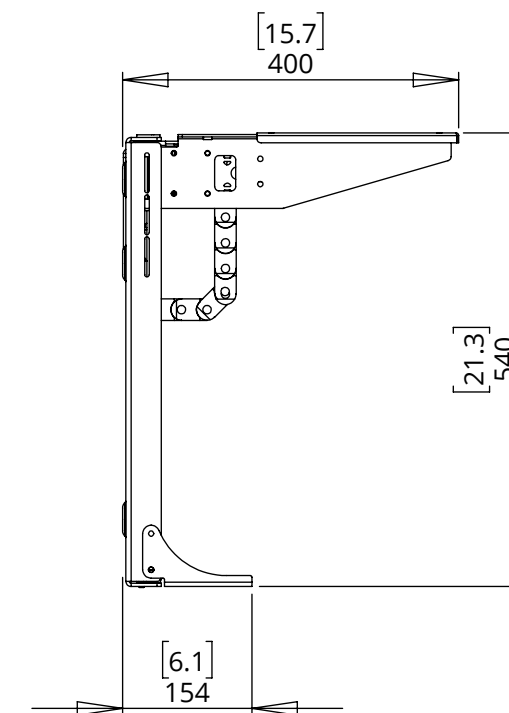
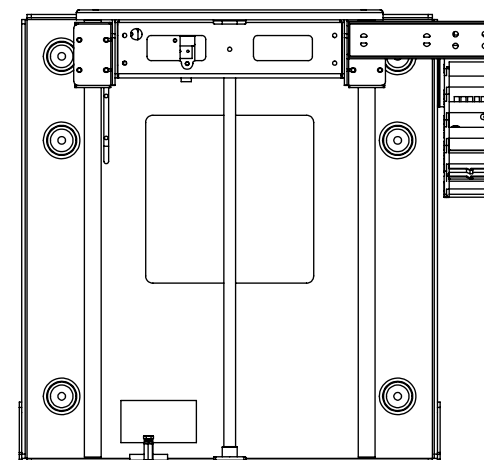
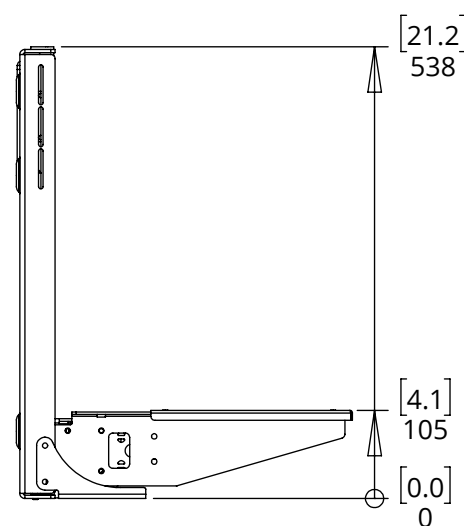
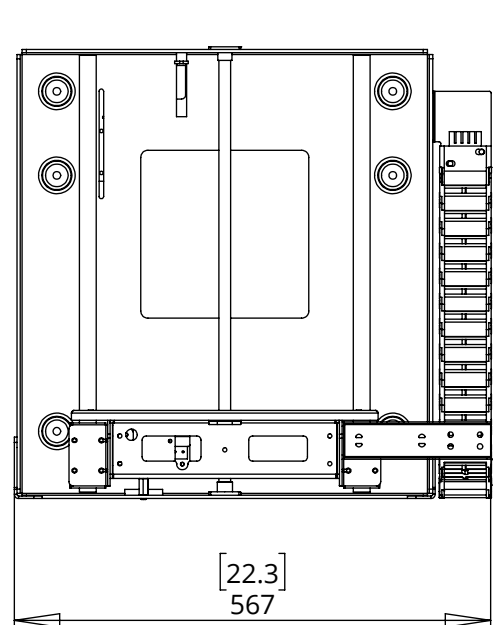
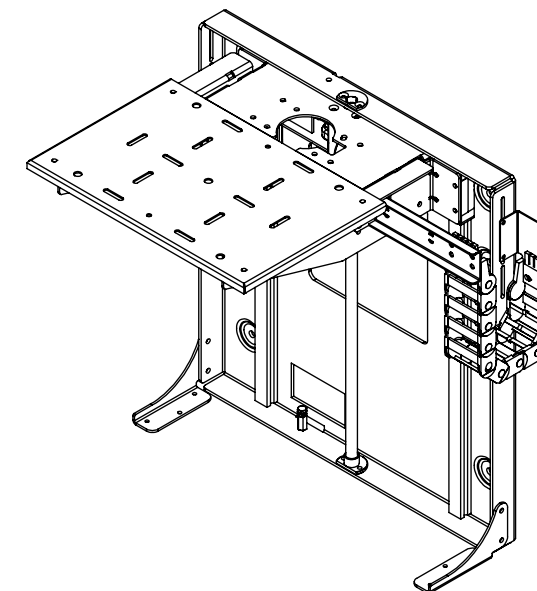
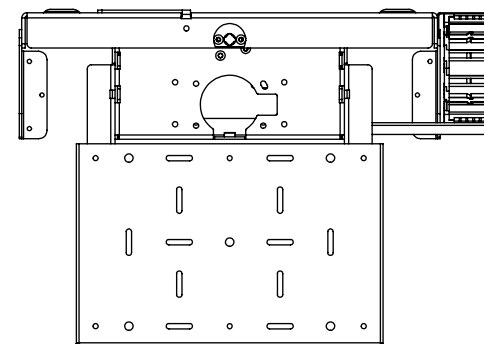
future automation

GENERAL DIMENSIONS - H540

UP POSITION



DOWN POSITION



TECHNICAL SHEET

ISSUE 006
SHEET 6

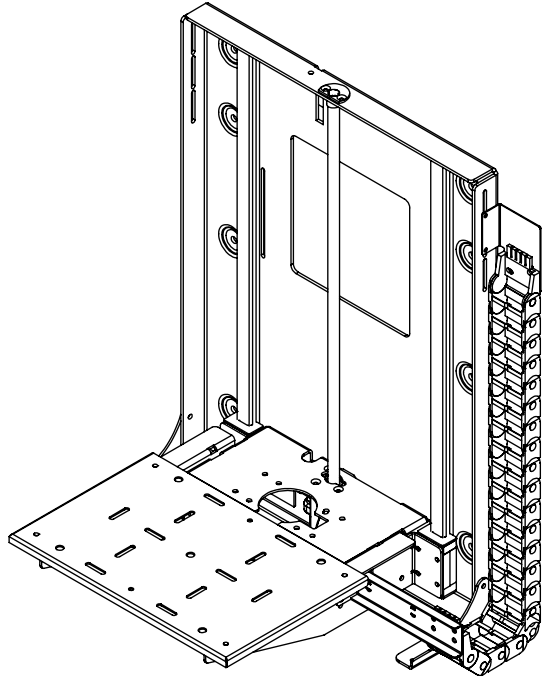
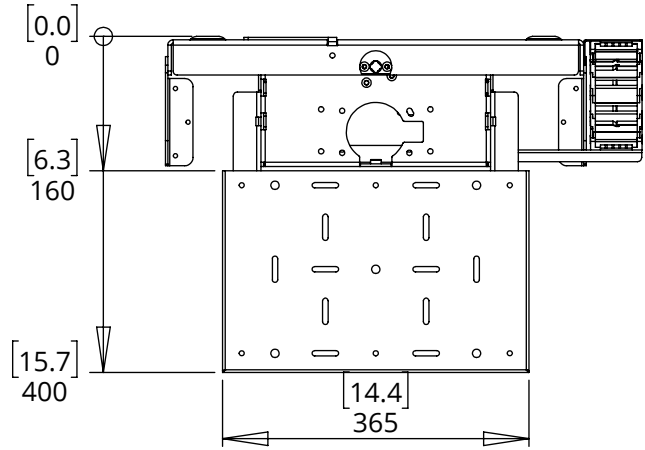
BL BOX LIFT



future automation

GENERAL DIMENSIONS - H660

UP POSITION



DOWN POSITION

