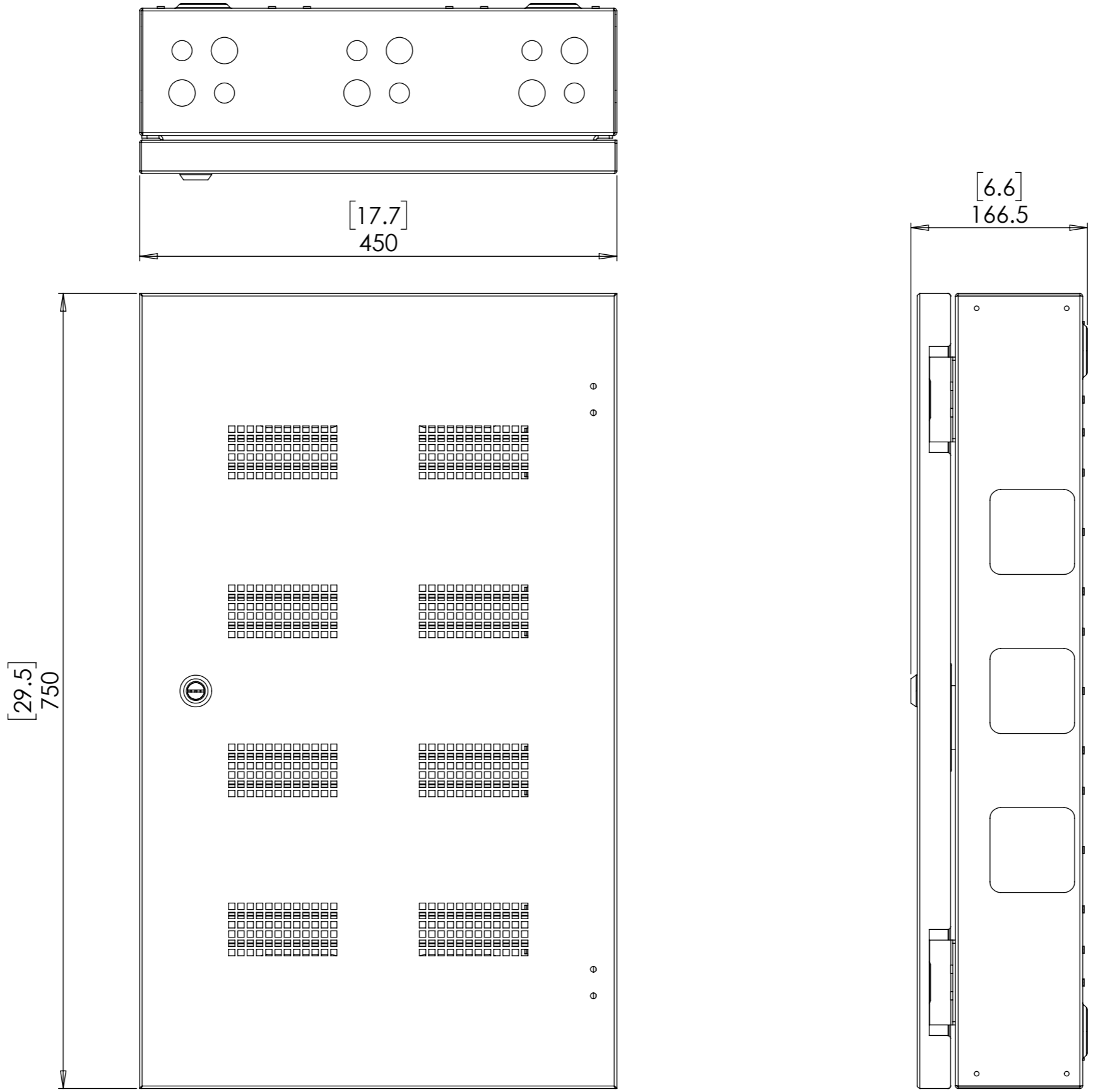


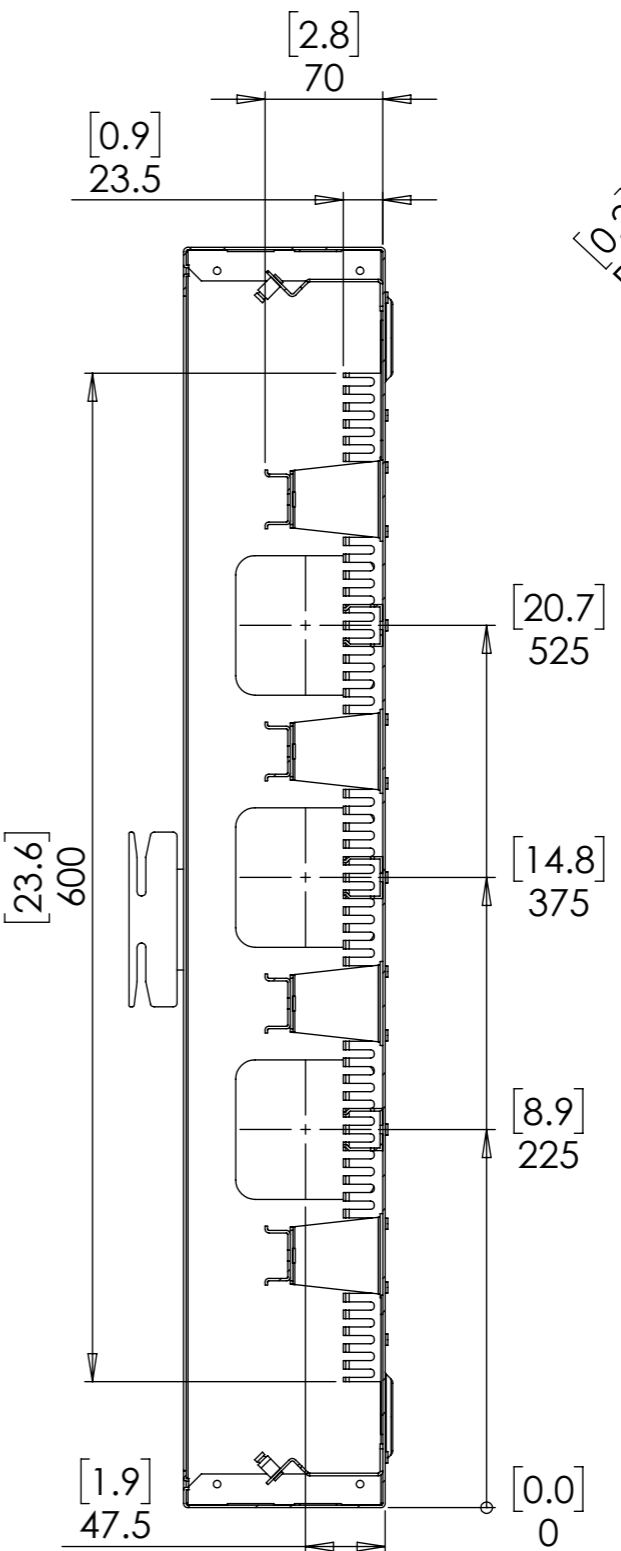
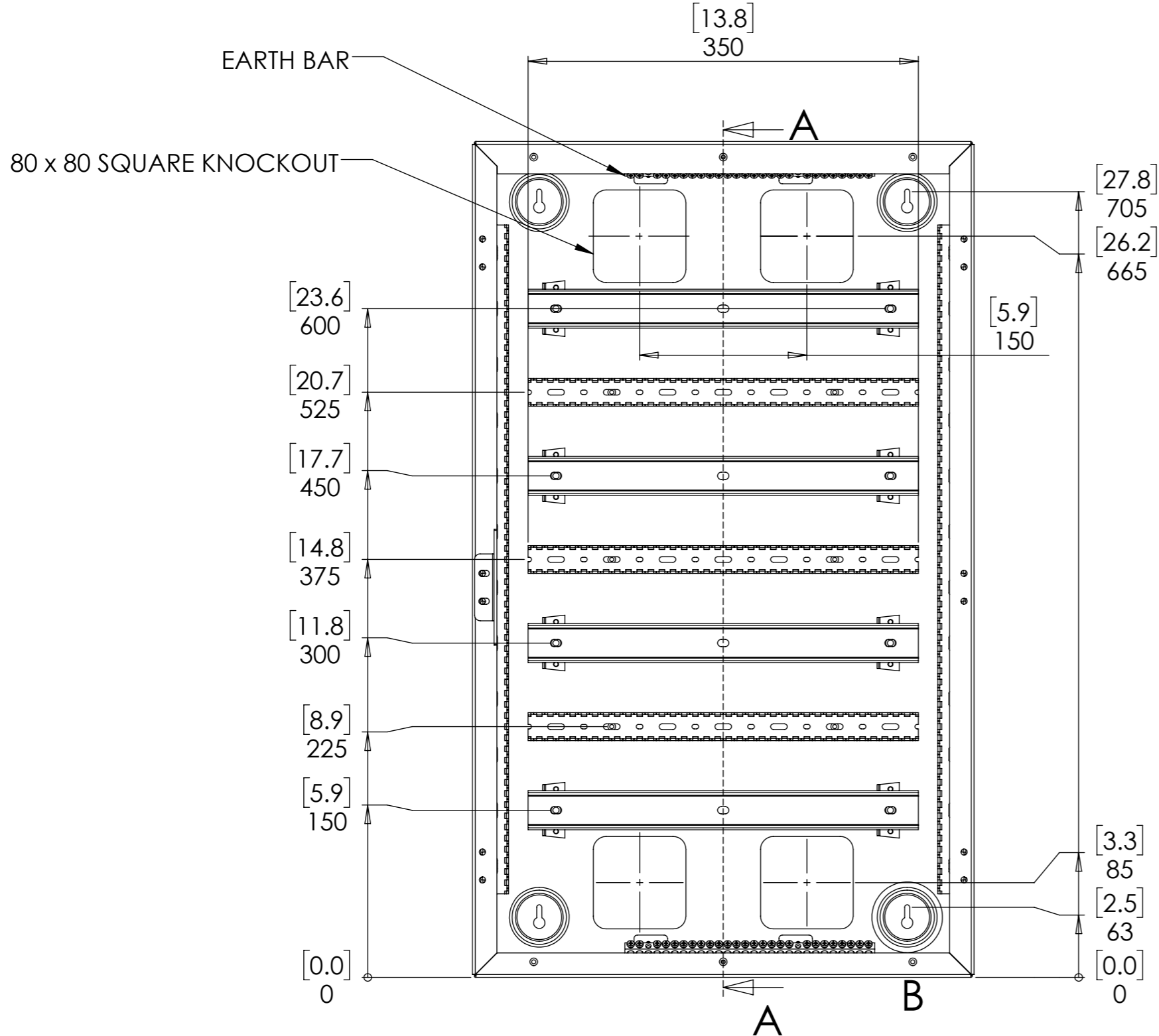
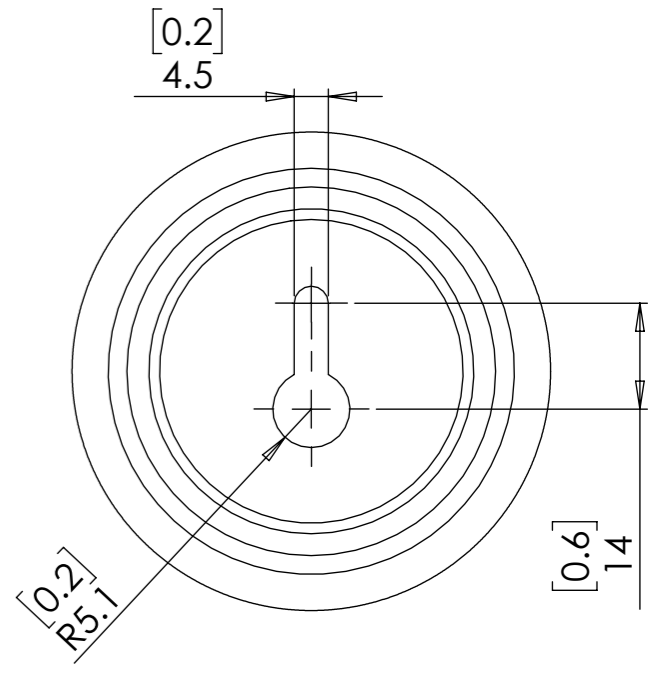
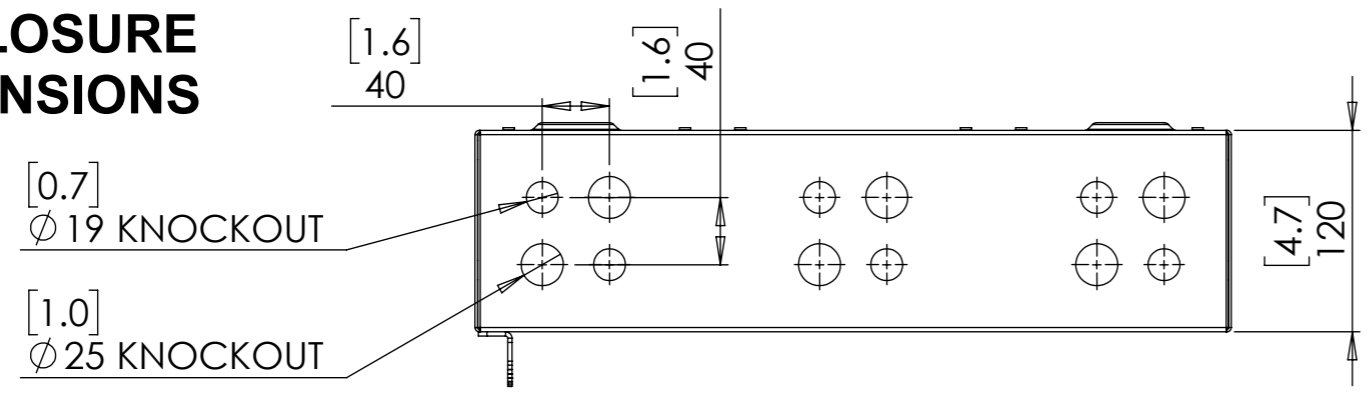


### OVERALL DIMENSIONS





### ENCLOSURE DIMENSIONS



VIEW B

SECTION A-A

