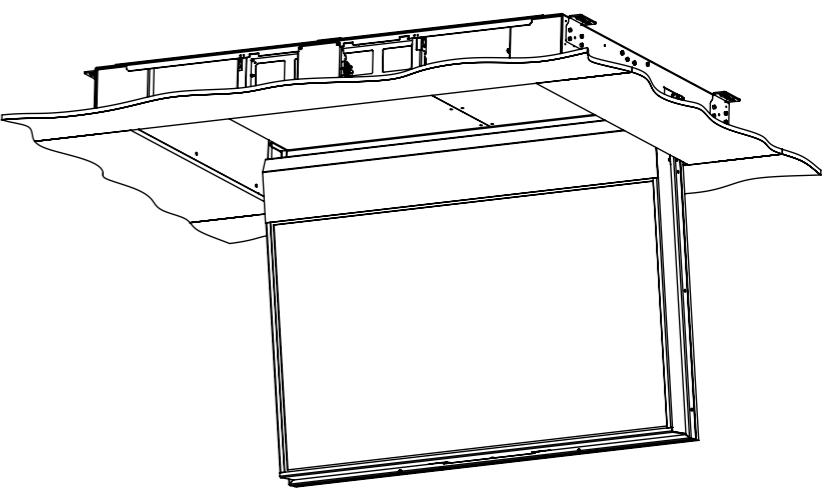
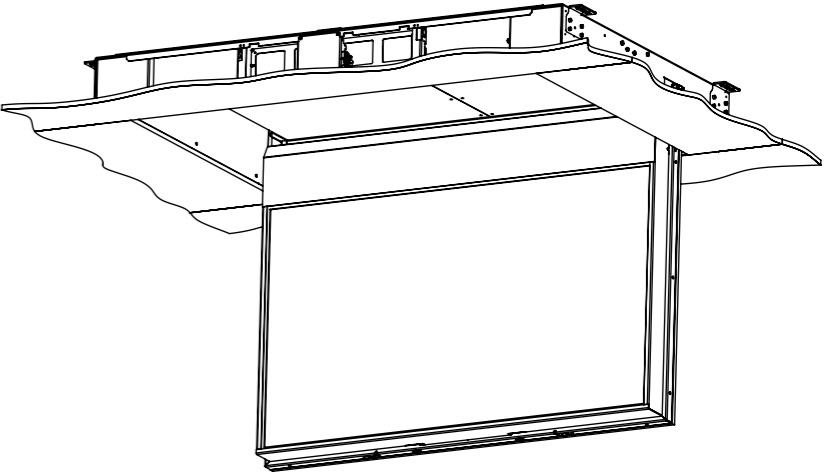
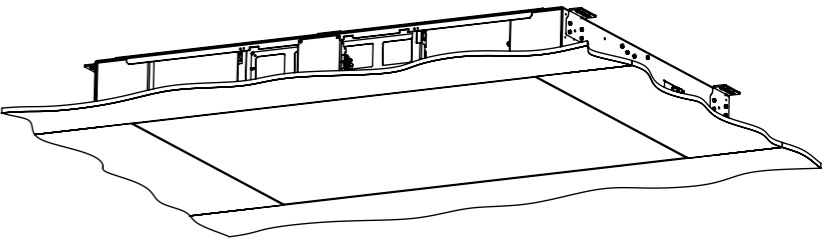
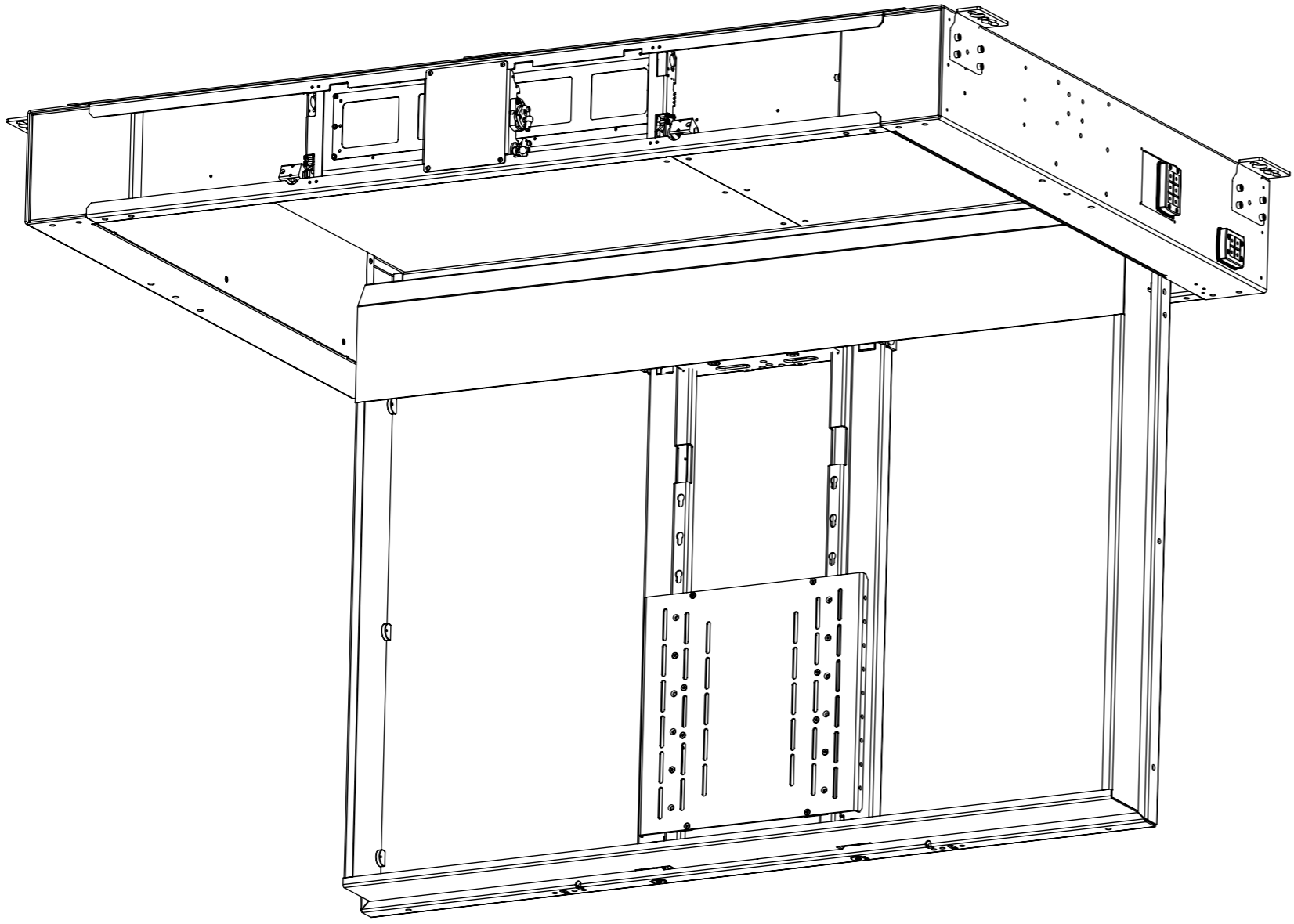


CHR7-M

MARINE CEILING HINGE RANGE



MECHANISM AS SUPPLIED

CHR7-M

MARINE CEILING HINGE RANGE

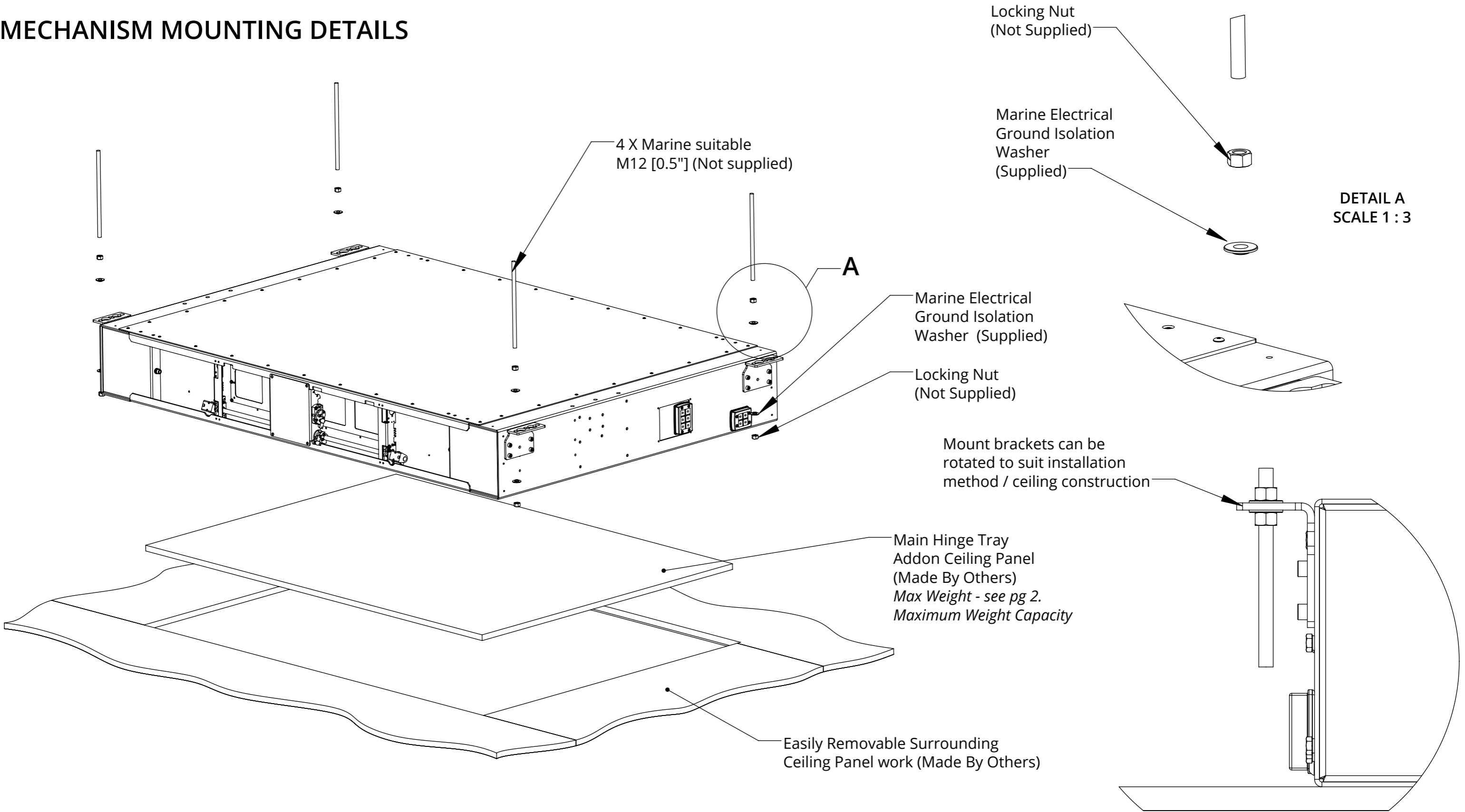


SPECIFICATION	MEASUREMENTS
Product Dimensions	2224mm (87.6") W x 1440mm (56.7") L x 246mm (9.6") D
Product Weight	145Kg (319lb)
Maximum Screen Size	1730mm (68.1") W x 1010mm (39.8") L x 150mm (5.9") D
Maximum Weight Capacity	120Kg (264lb) Inc 30kg [66lbs] max. Addon Ceiling Panel Main Hinge
Packaging Dimensions	2260mm (89.0") W x 1600mm (63.0") L x 500mm (19.7") D
Shipping Weight	265Kg (583lb)
Maximum Rotation	100° - programmable limit to 90°
Movement Type	Motorised
Control System	Housed internally - Accessible through internal access hatch.
Power Supply Required	110V - 240V AC 50/60Hz
Power Consumption Max.	720W
Power Consumption Standby	3W
Mounting Patterns Supported	VESA 400, 300, 200 W x 400, 300, 200 H
Control Options	IR Remote, RS232, Contact Closure
Product Options / Features	Specific B&O and Loewe mounts / adapters, Custom RAL paint finishes, Marine suitable version
Package Contents	Mechanism, IR remote control
Environment	Marine Indoor
Colour	WHITE - RAL9910 Satin Finish
Marine Suitable	Yes - Marine Locks for secure stowing when not in use.

CHR7-M

MARINE CEILING HINGE RANGE

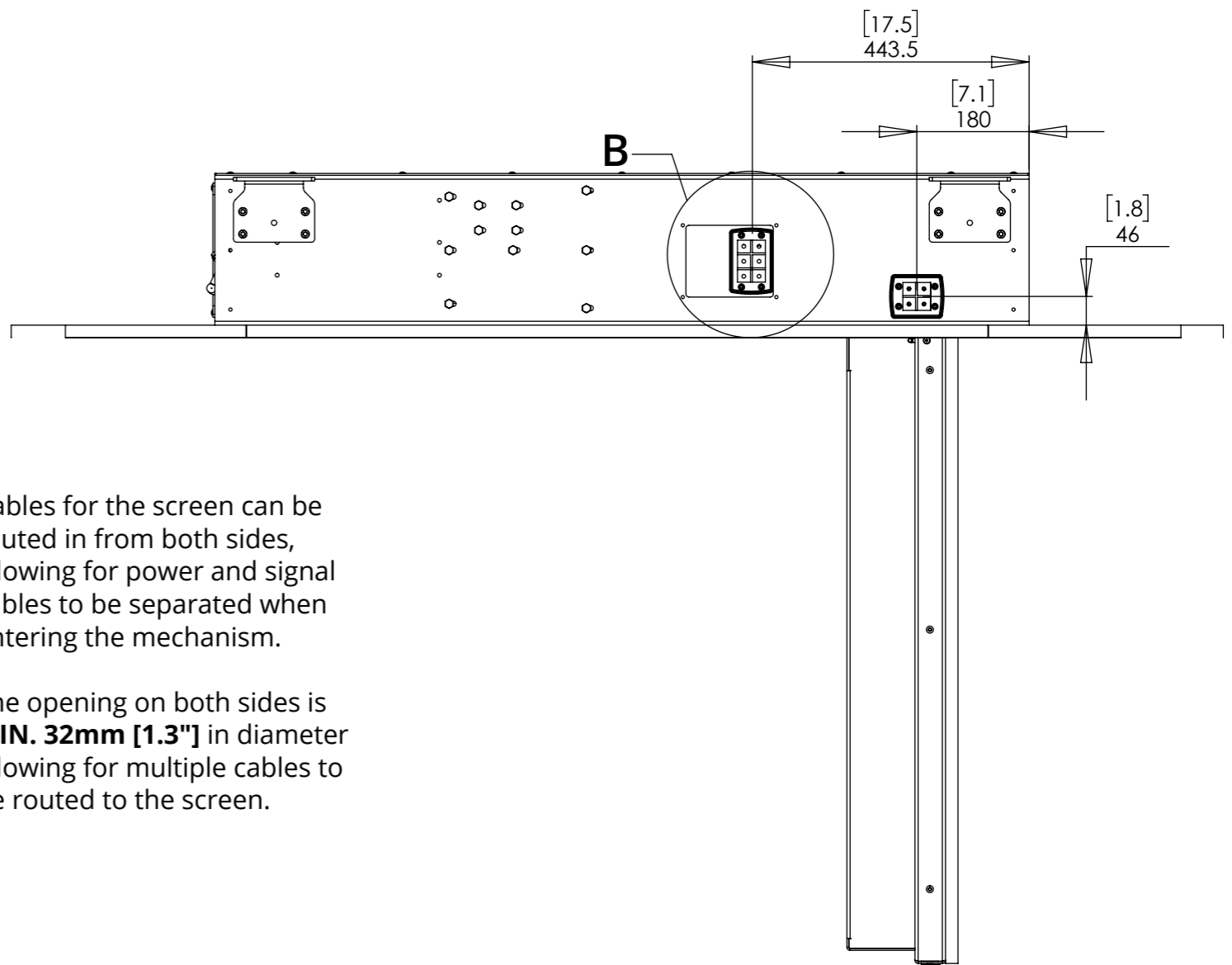
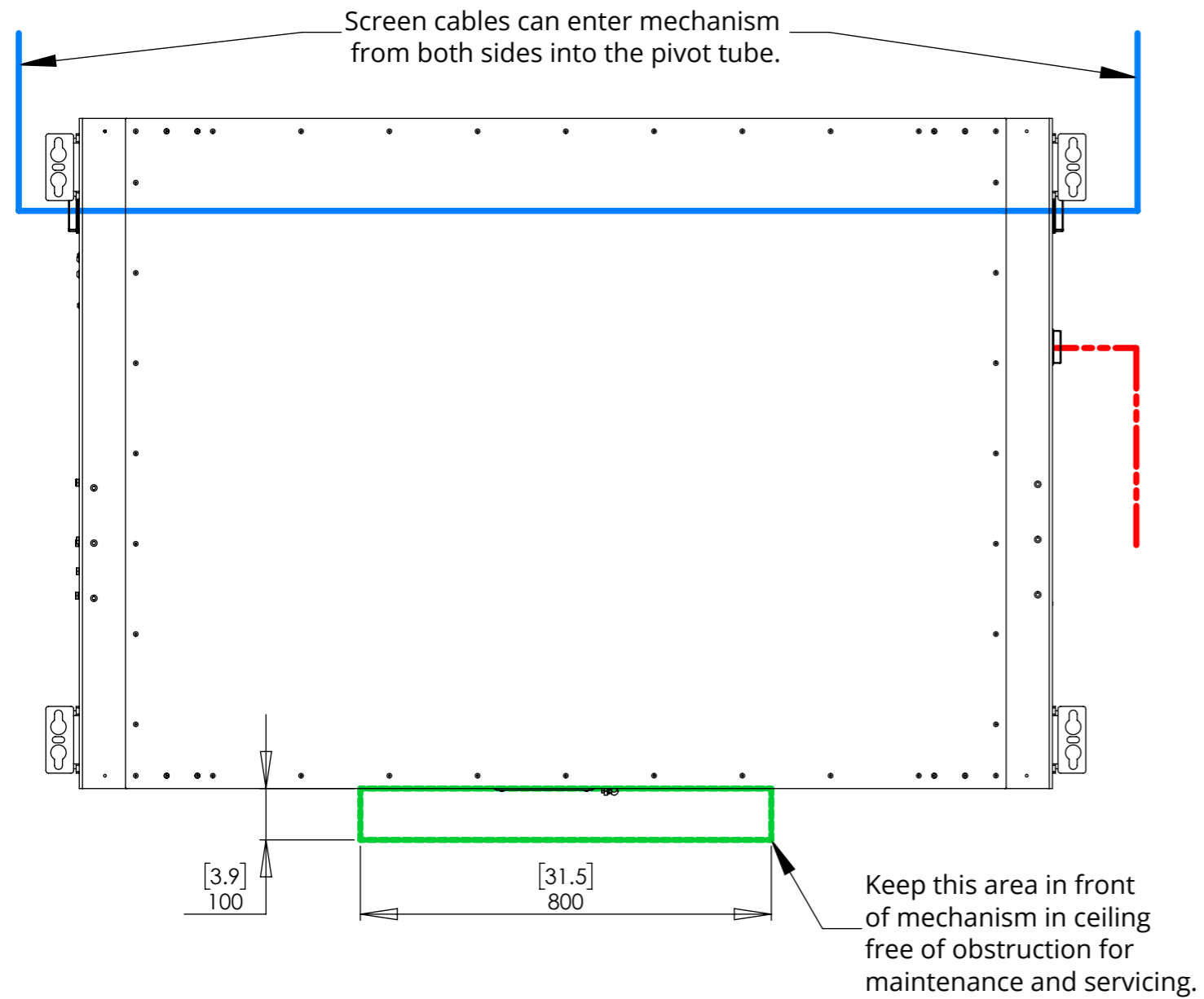
MECHANISM MOUNTING DETAILS



CHR7-M

MARINE CEILING HINGE RANGE

CEILING PREPARATION

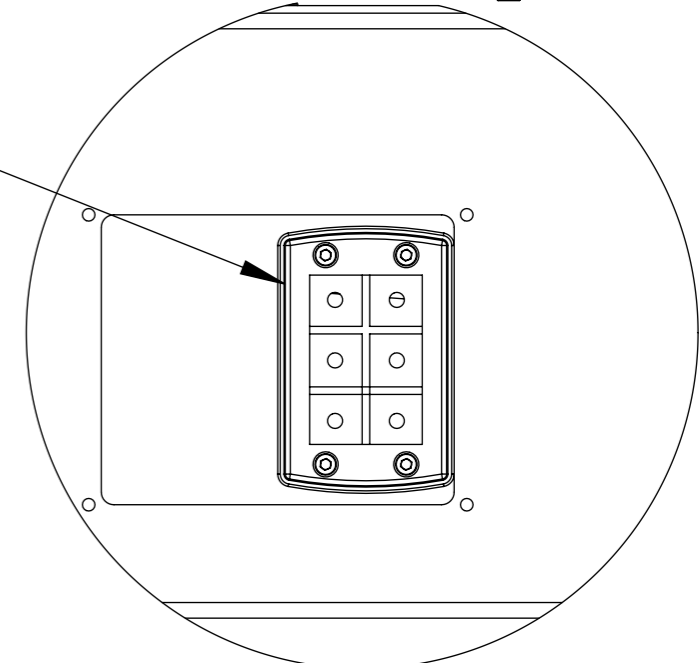


Cables for the screen can be routed in from both sides, allowing for power and signal cables to be separated when entering the mechanism.

The opening on both sides is **MIN. 32mm [1.3"]** in diameter allowing for multiple cables to be routed to the screen.

Cables pass through easily removable cable gland plates into mechanism.

Additional glands to suit different cable sizes are available on request.

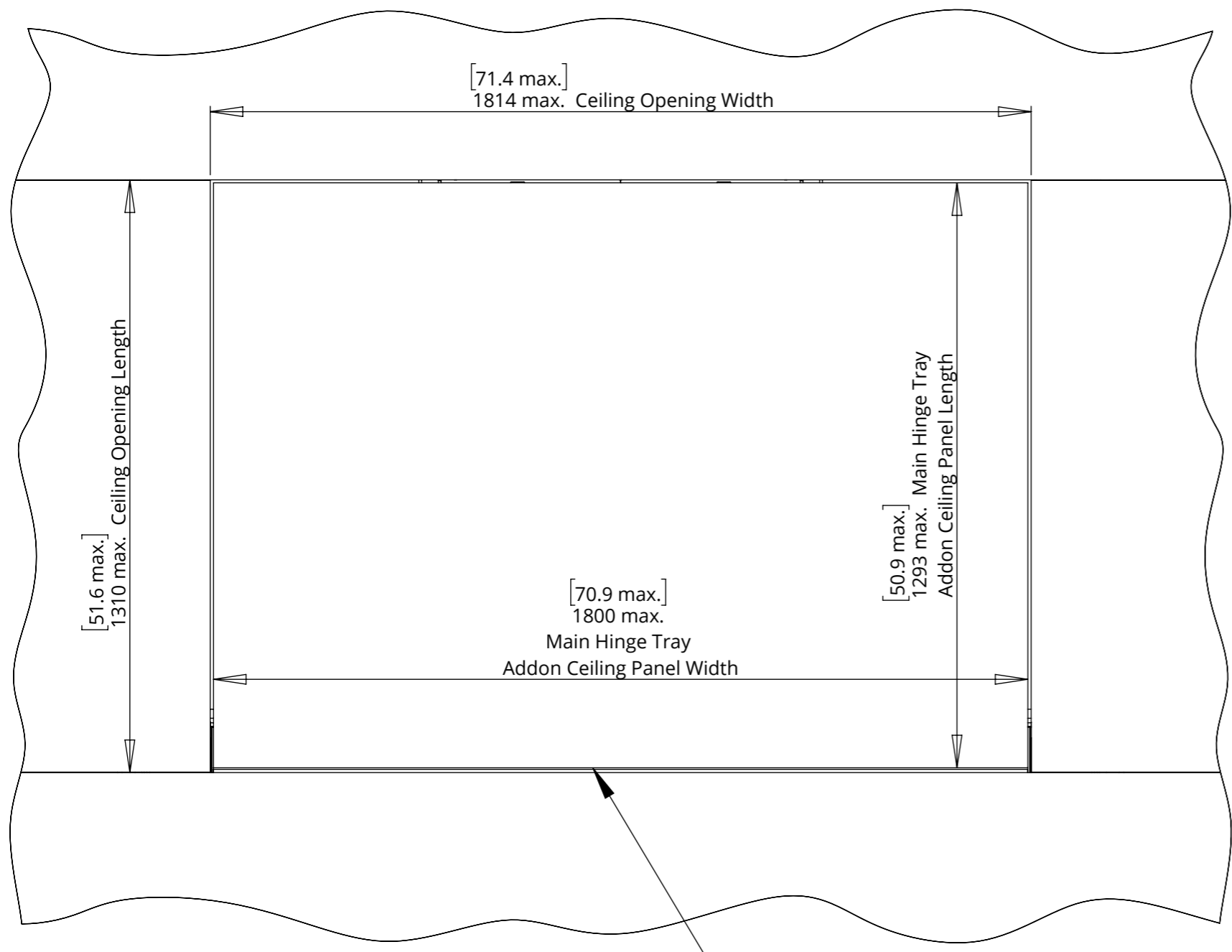


DETAIL B
SCALE 1 : 3

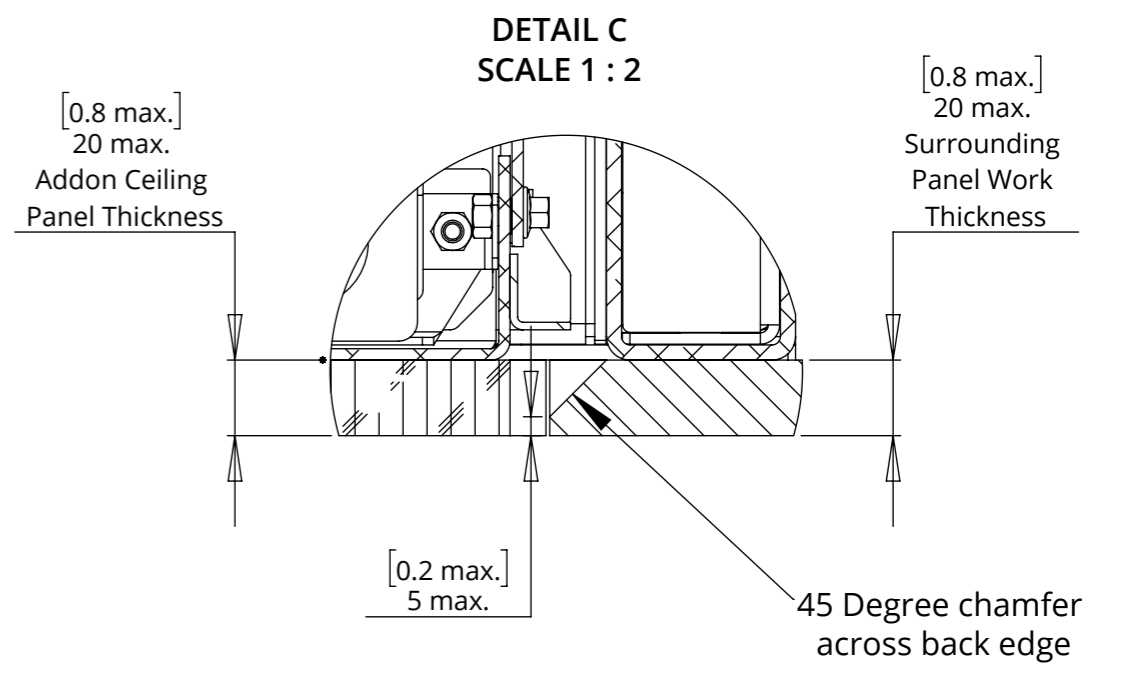
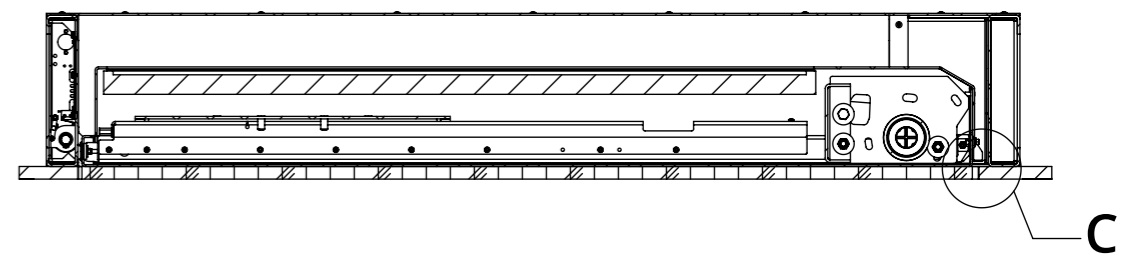
- Mechanism Power and Control Cables.
- Screen power and Signal

CHR7-M MARINE CEILING HINGE RANGE

CEILING DETAILS



Mechanism designed to work with min. 7mm [0.3"] shadow gaps

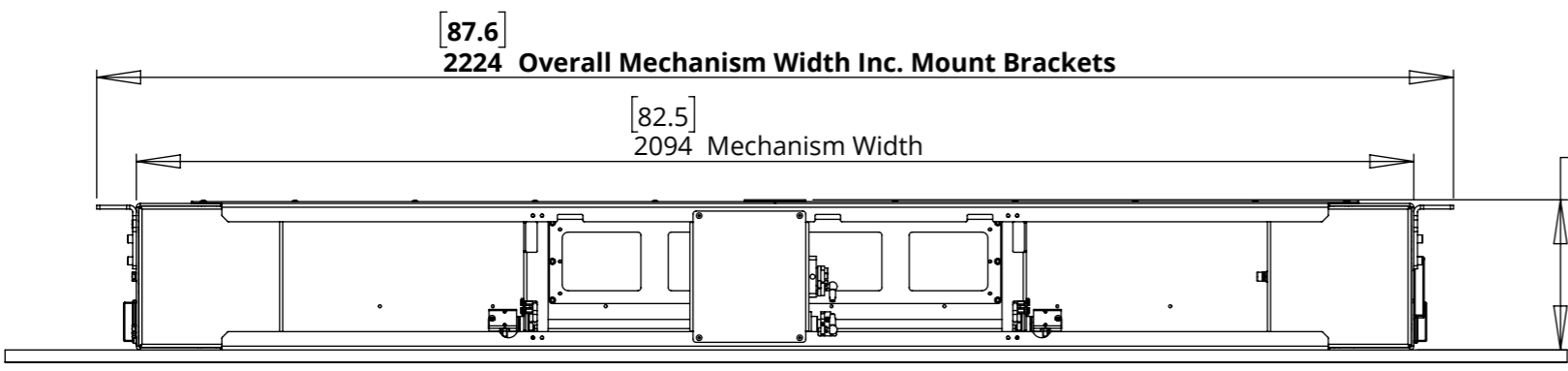


Ensure all panel work is the same thickness.

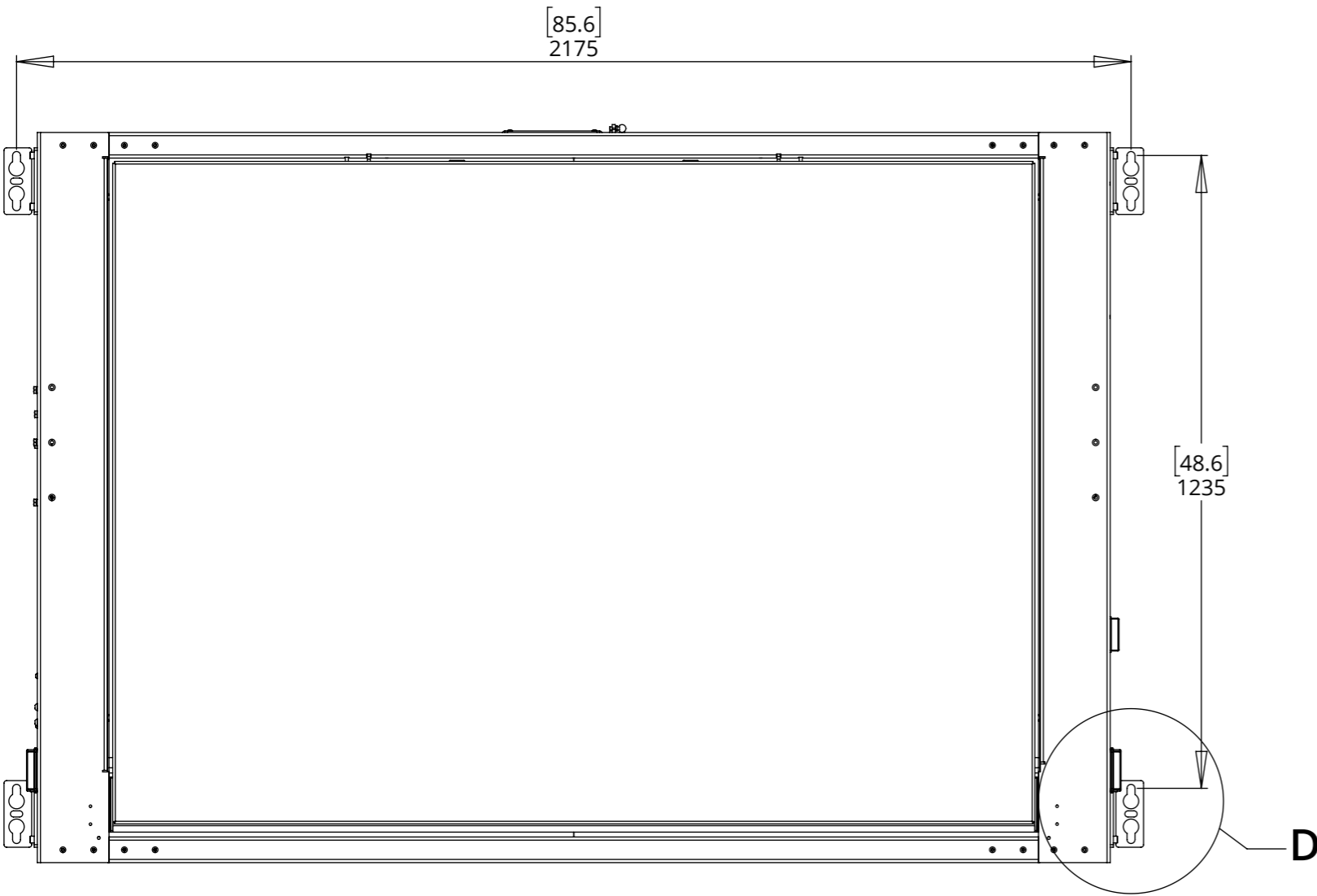
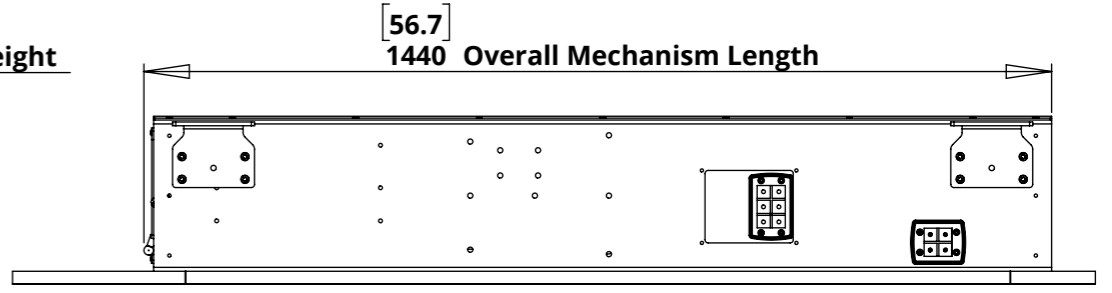
Weight of all add-on panel work must be included in maximum mechanism lifting capacity.

CHR7-M MARINE CEILING HINGE RANGE

MECHANISM DIMENSIONS - CLOSED

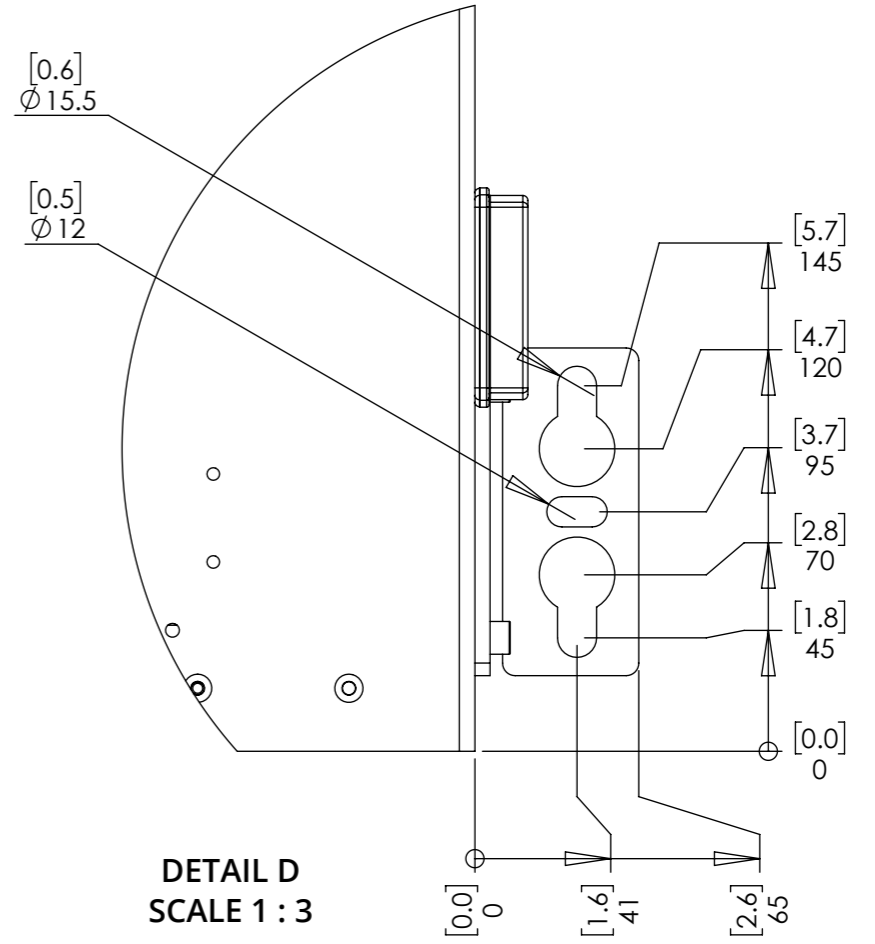


[9.7] 246 Mechanism Height



FIXING DETAIL

Mechanism mounted on M12 [0.5] Studding or fixed to underside of the ceiling joist structure, both using the mounting brackets installed on mechanism as standard



DETAIL D
SCALE 1 : 3

CHR7-M

MARINE CEILING HINGE RANGE

MECHANISM DIMENSIONS - OPEN

