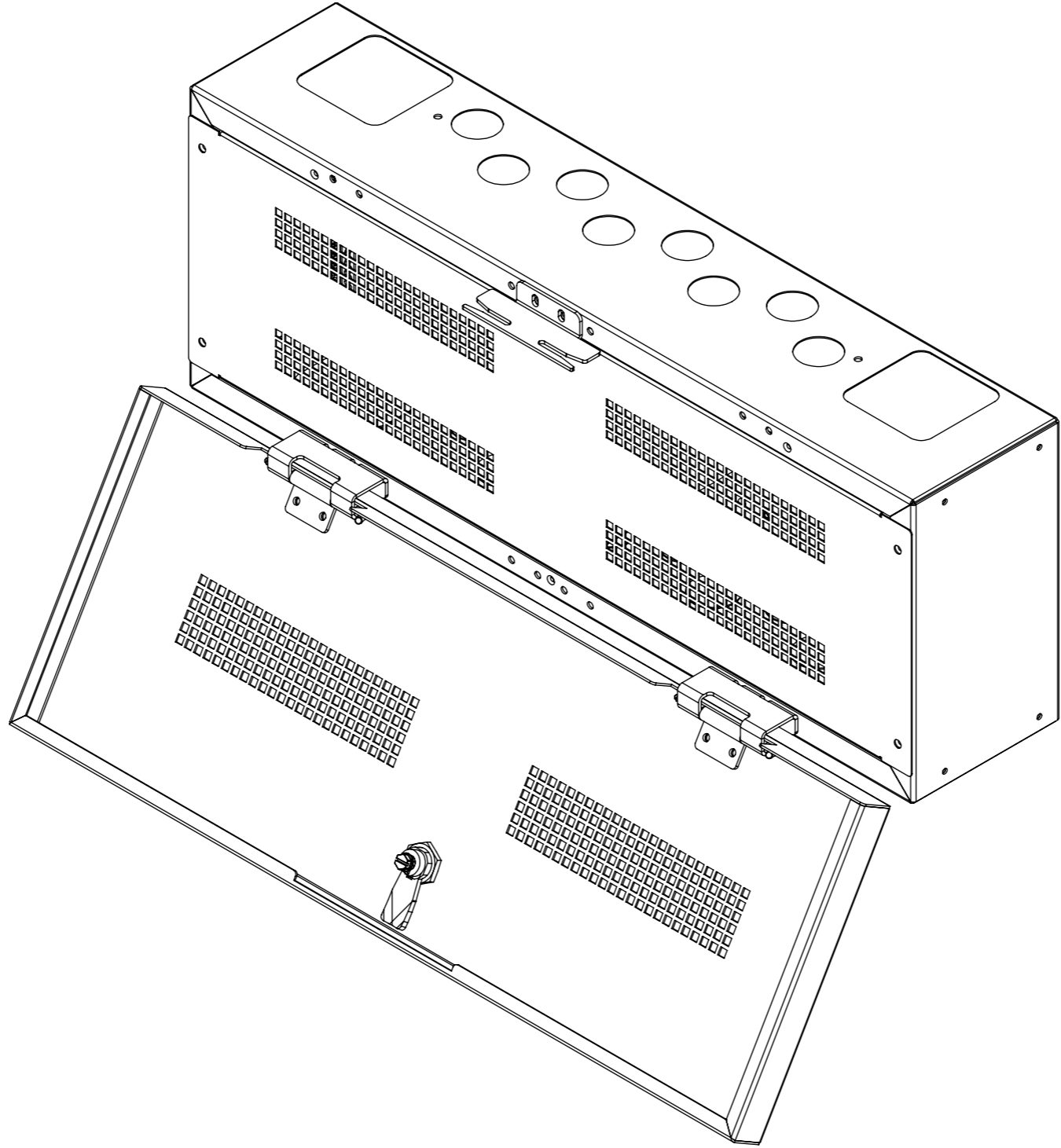


LXN LPS

LOXONE - LED POWER SUPPLY



future automation



LXN LPS

LOXONE - LED POWER SUPPLY



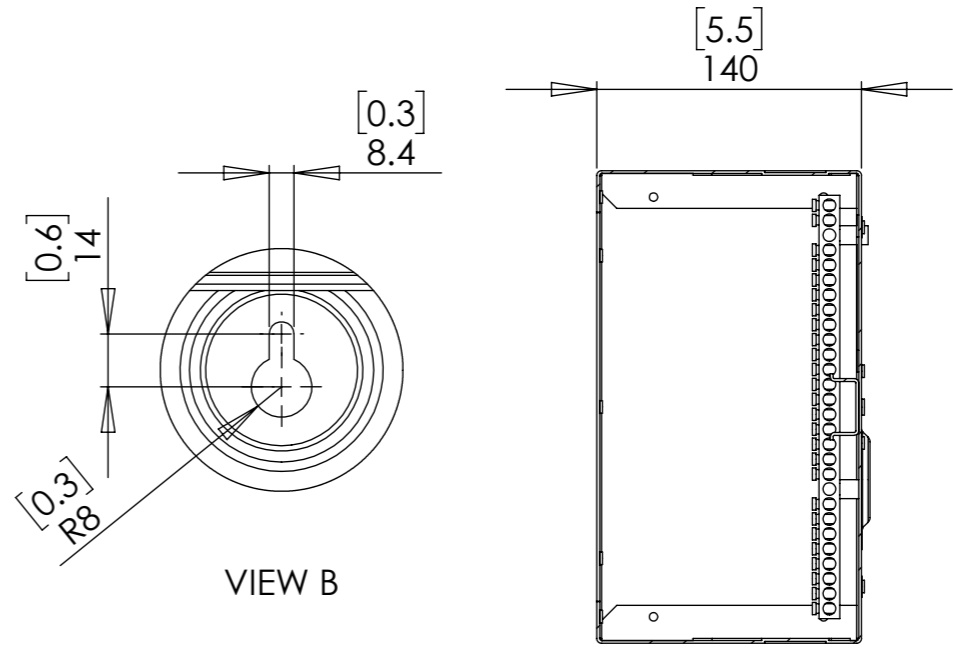
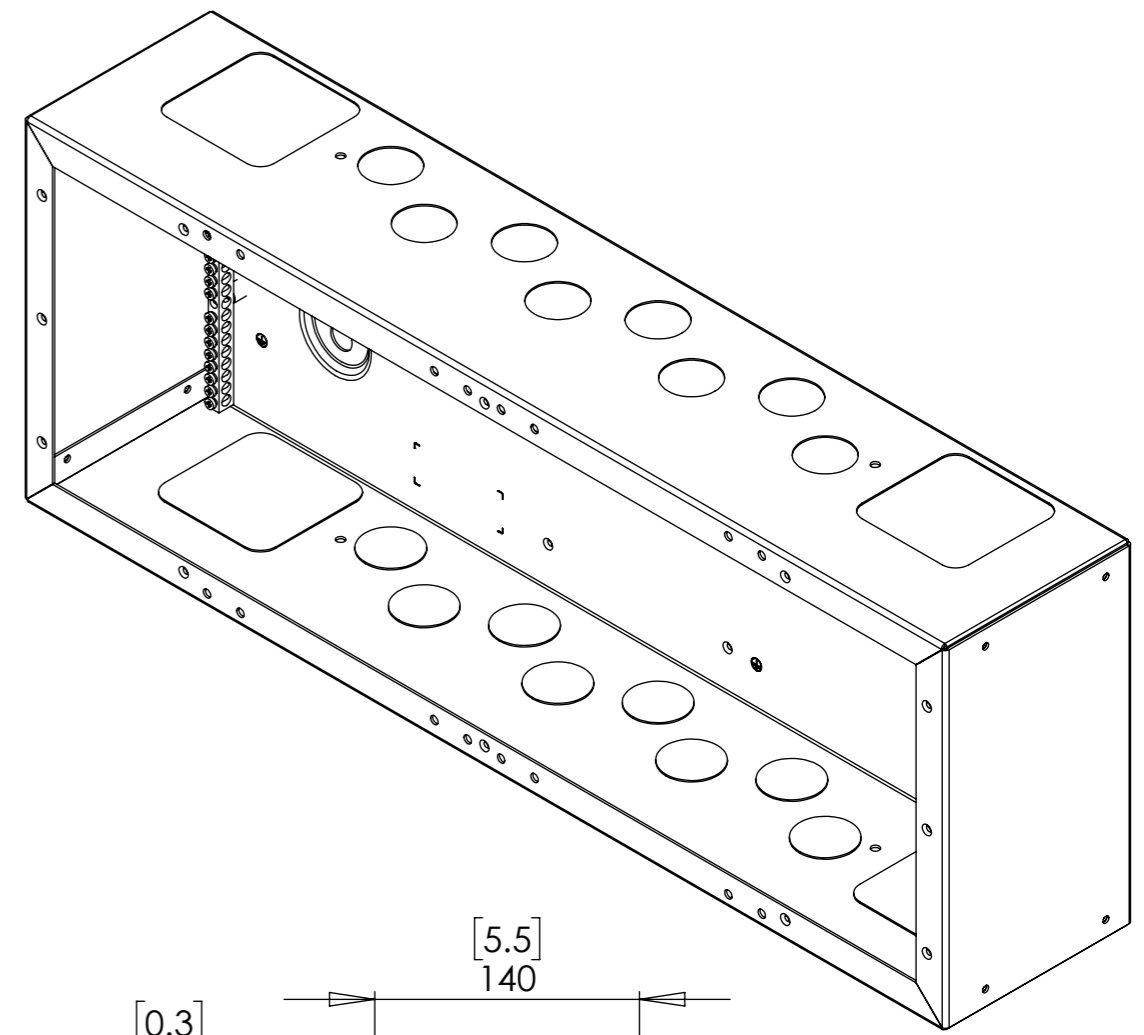
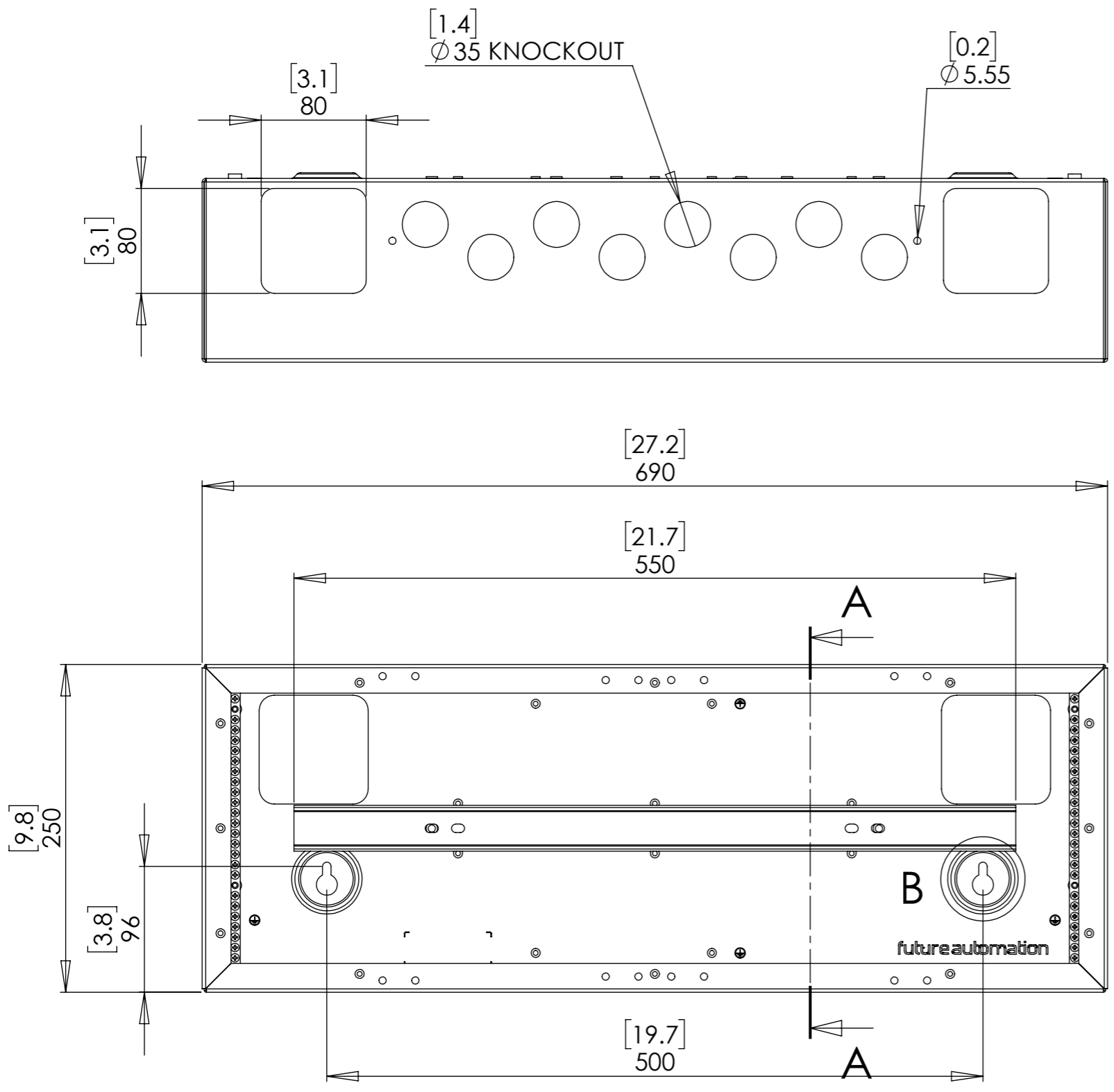
future automation

SPECIFICATION	MEASUREMENTS
Product Dimensions	250mm (9.8") x 690mm (27.2") x 186.5mm (7.3")
Number of DIN Rails	1
Finish (Custom Available)	Lid - Black Textured Paint, Box - Zintec Coated Steel
Depth From Wall	186.5mm (7.3")
Wall Mount Type	80mm (3.1") Keyhole Slots
Shipping Dimensions	360mm (14.2") x 840mm (33.0") x 280 (11.0")
Shipping Weight	8Kg (18lbs)

LXN LPS

LOXONE - LED POWER SUPPLY

ENCLOSURE DIMENSIONS

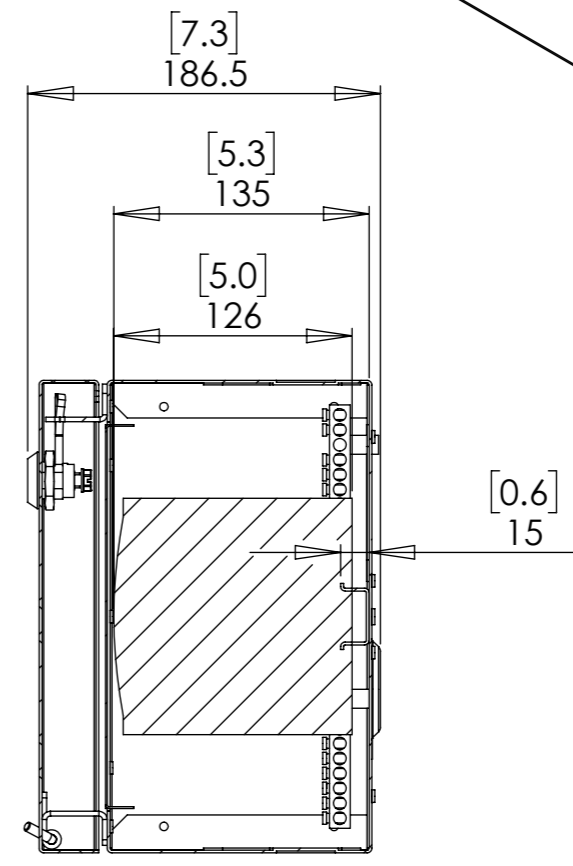
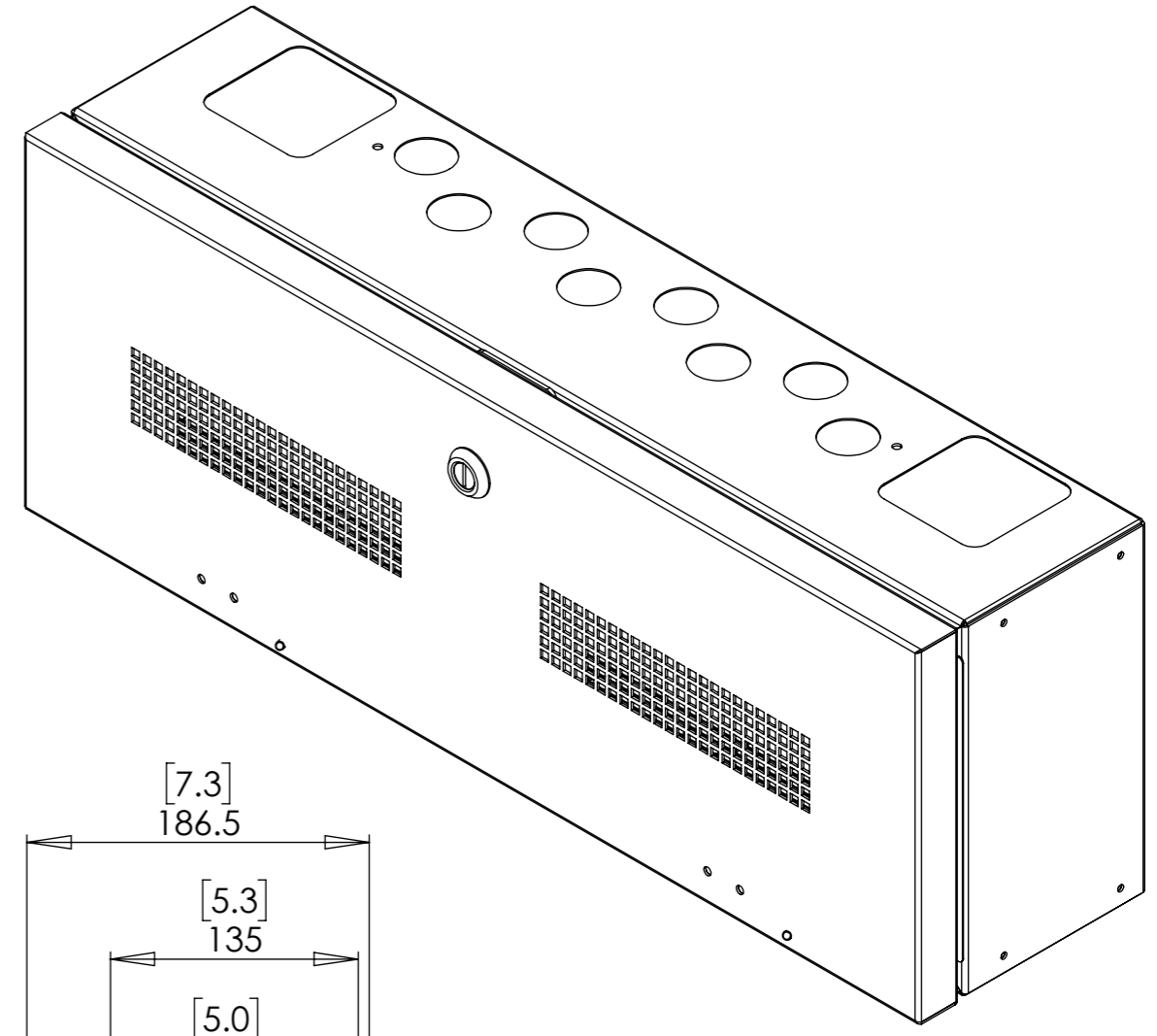
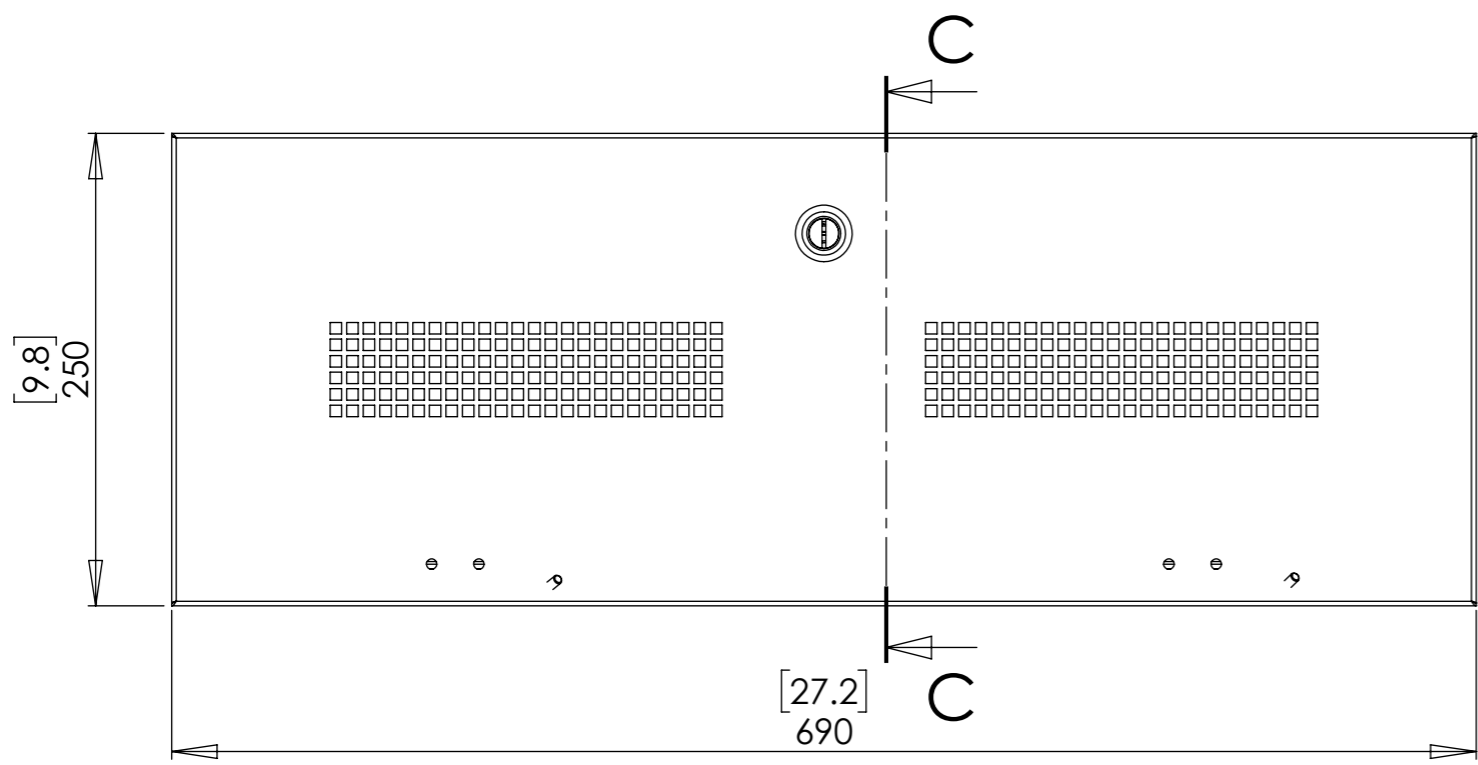
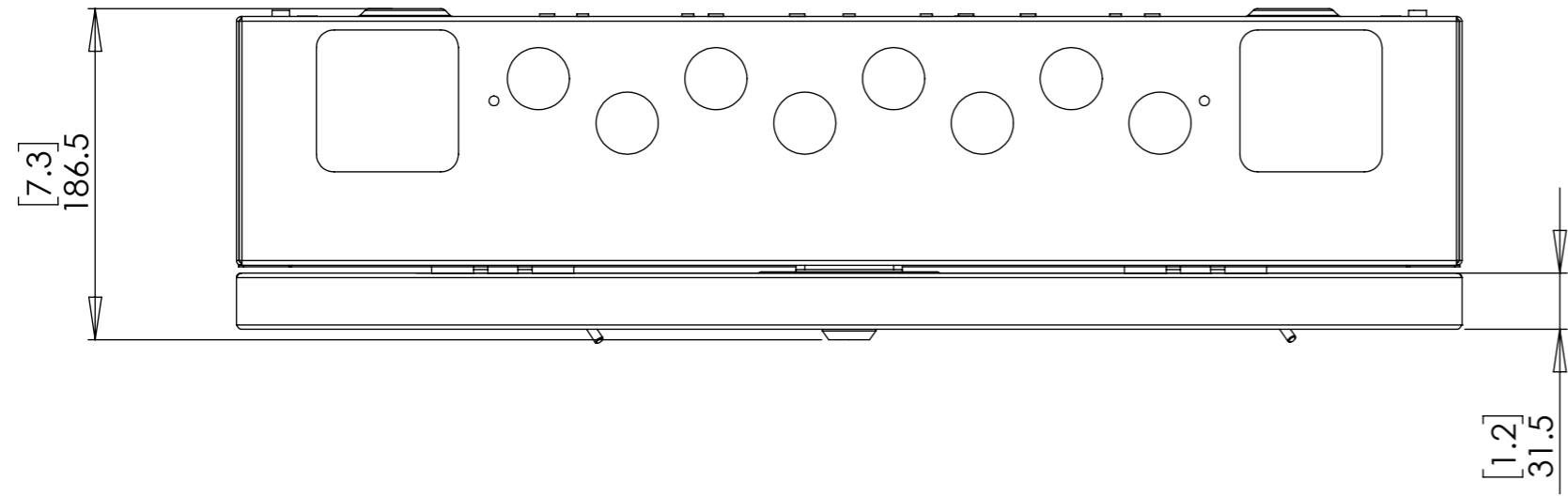


SECTION A-A

LXN LPS

LOXONE - LED POWER SUPPLY

OVERALL DIMENSIONS



SECTION C-C

LXN LPS

LOXONE - LED POWER SUPPLY

EXAMPLE INSTALLATION

Example below shows LXN-LPS fitted below LXN 5 for module expansion and/or panel termination.

LXN-LPS Door opening can be reversed to suit. Simply remove Cover Panel and swap Hinge Outers and Latch Bracket to opposing side.

