

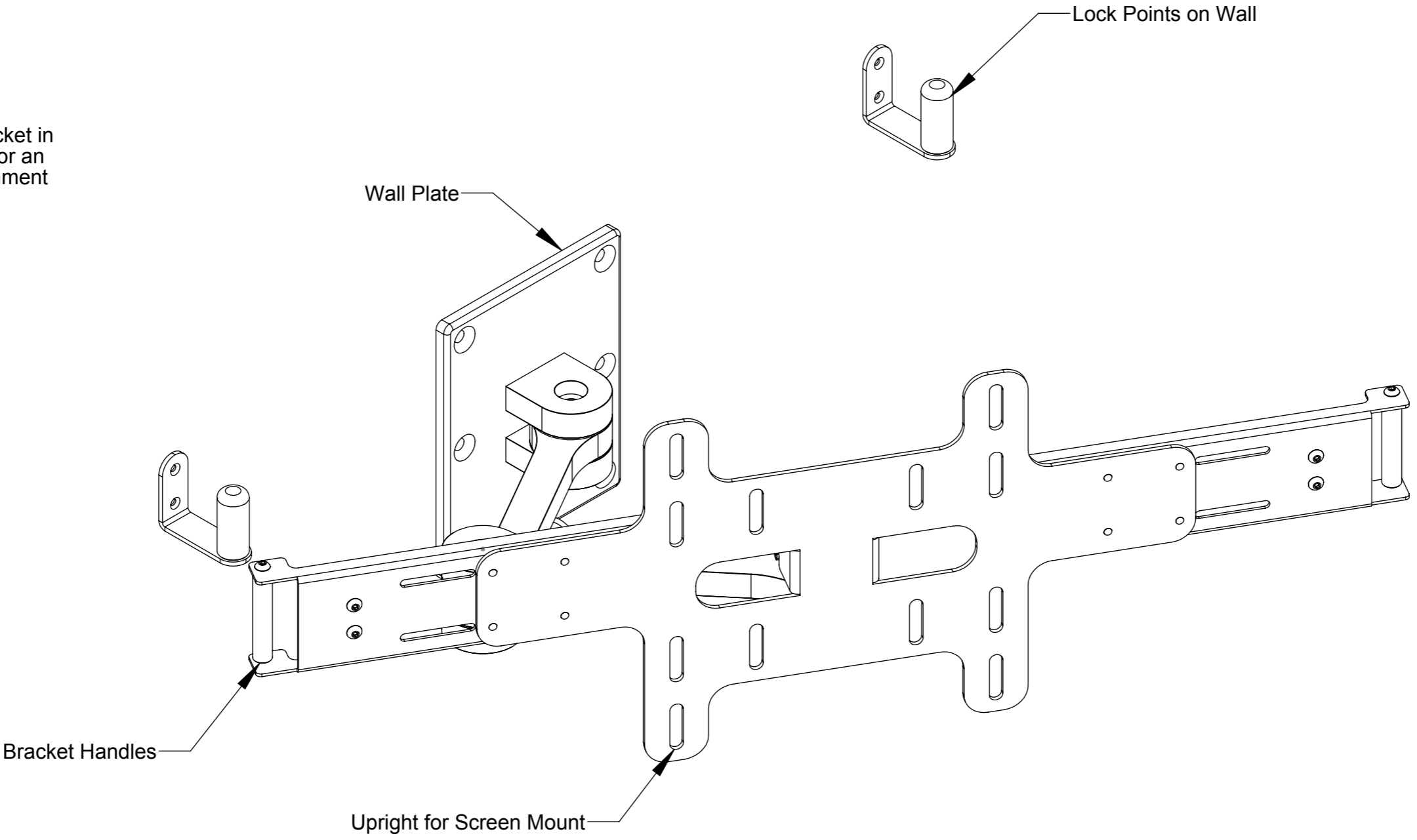


DESIGN HIGHLIGHTS

- Stunning brushed aluminium finish
- Bi-directional swivel
- Strong stylish design
- Locks to hold the bracket in the in position. Ideal for an indoor marine environment

OPTIONS

- Non Marine version available.



FUNCTION

A double arm wall bracket designed for use with small screens. Locks have been added to hold the screen in the IN position when used in an indoor marine environment.

Cables for the screen can be routed under the bracket for a neat look.

SUITABILITY

Suitable for screens with VESA 100 & 200 mount patterns.

The M-FSA2 wall bracket is suitable for screens from 26" up to 32" with a max weight of 10kg.

SPECIFYING

Check wall makeup for suitability.

Check viewing angles and position for feasibility.

Check screen details for mounting Vesa compatibility.



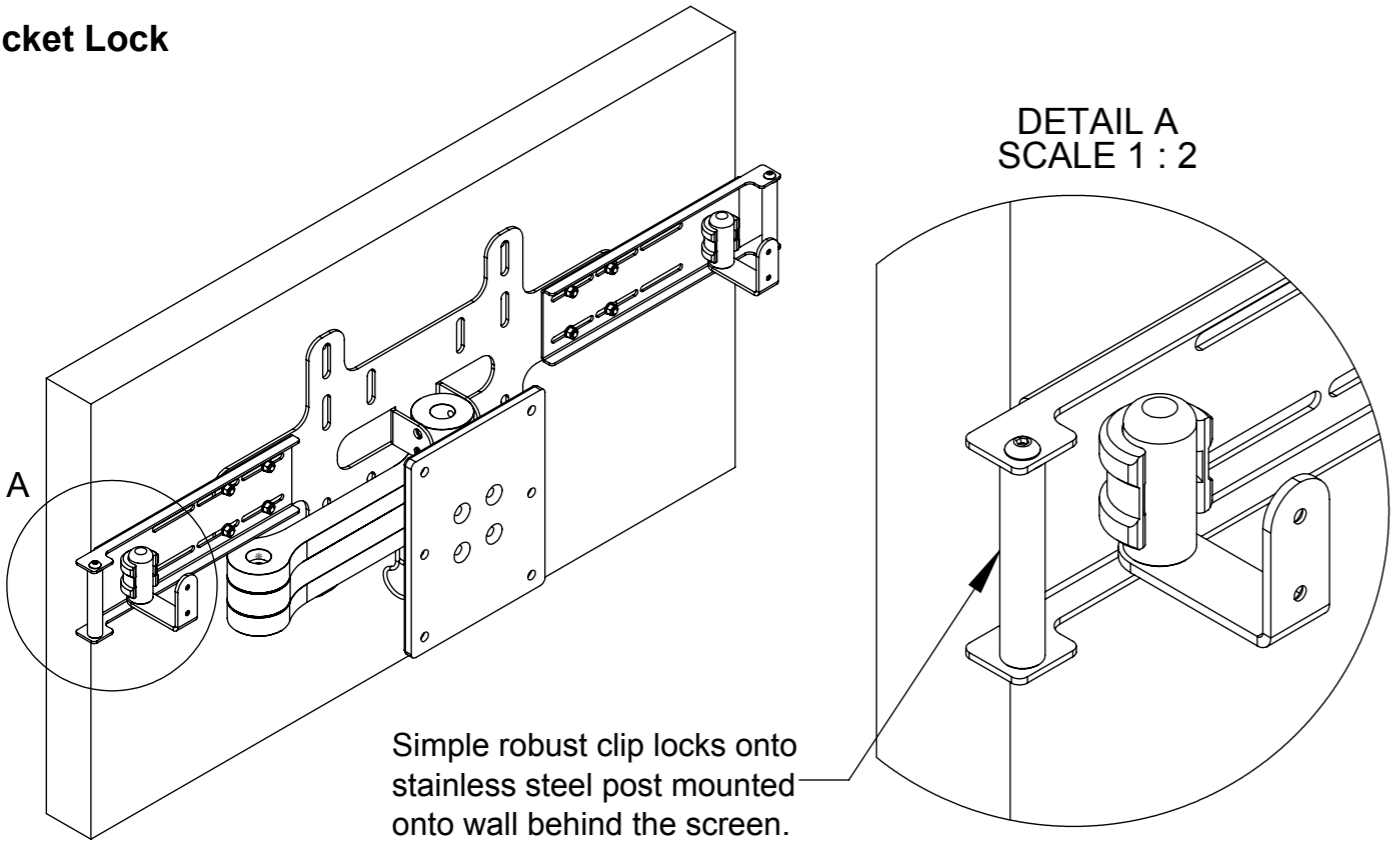
WARNING IMPORTANT

It is the responsibility of the installer to make sure the product is safely secured to the wall.

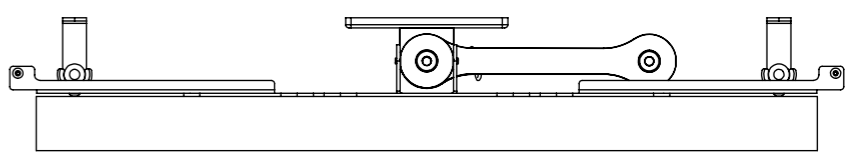
Cable management is neatly organised and will not be obstructed or pinched by the bracket.



Bracket Lock

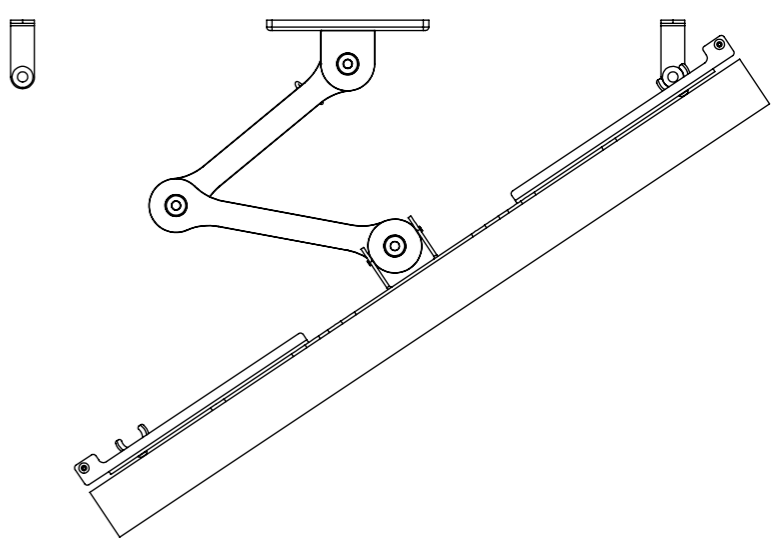


Bracket Movement

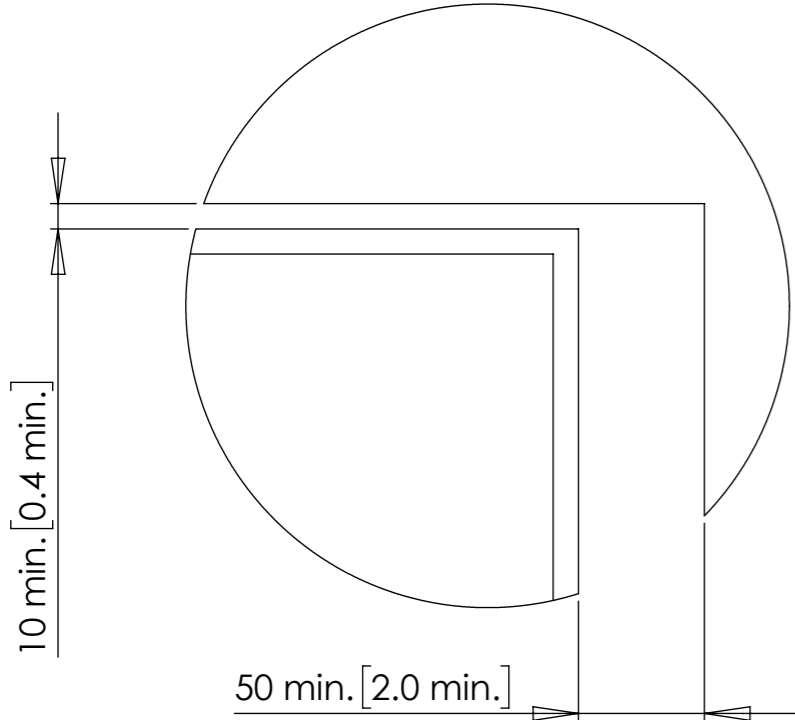


By only releasing one lock the bracket can rotate in one direction around the lock still engaged.

A maximum angle of 55° can be achieved in either direction.

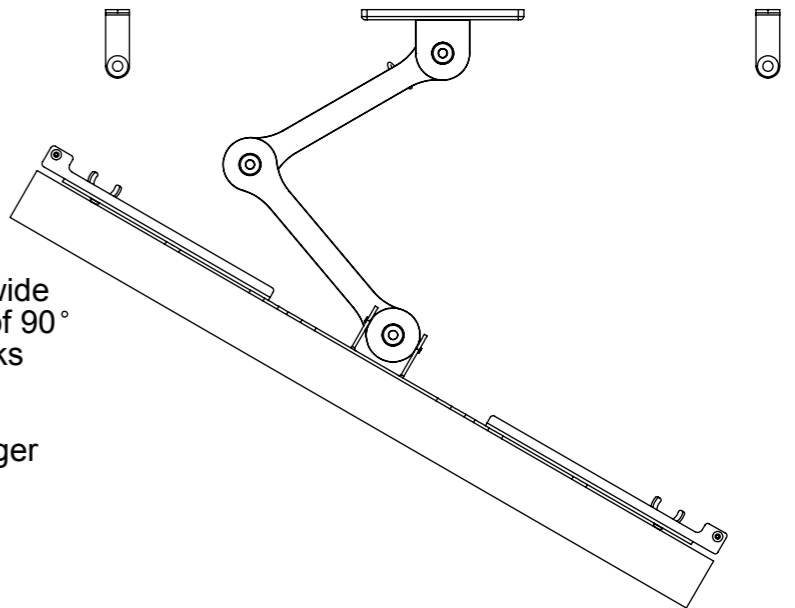


Recess Mounting



When recessing the bracket a minimum gap of 10mm [0.4"] top and bottom and 50mm [2.0"] sides should be around the screen.

NOTE:
A larger gap at the side is required if the bracket is going to be used by releasing only one lock as shown above right.

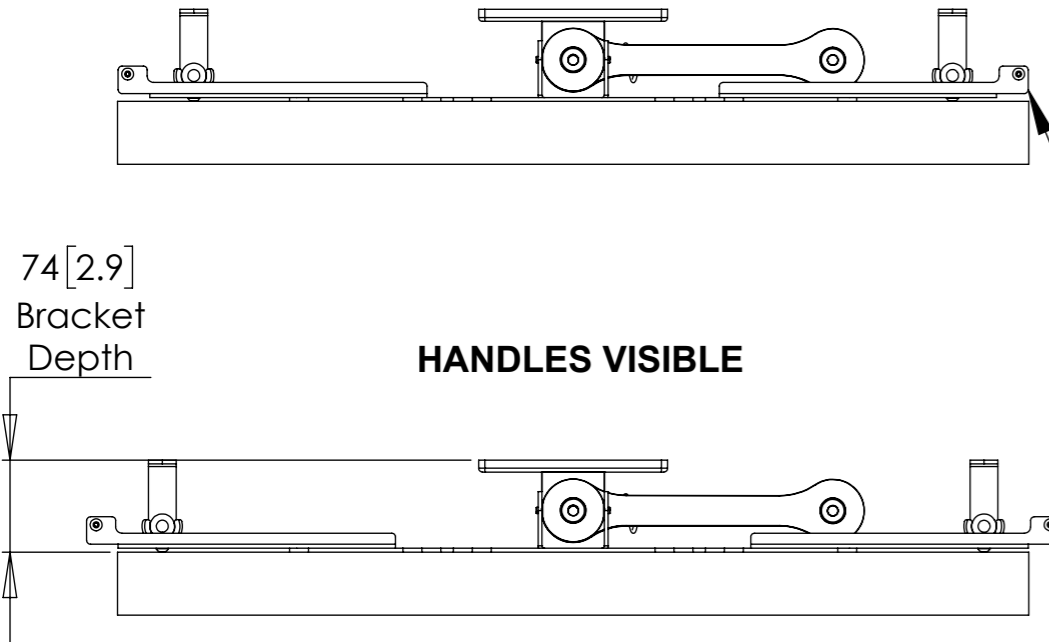


Screens up to 1000mm [39.4"] wide can achieve a maximum angle of 90° in both directions when both locks are released.

Angle of rotation reduced for larger screens.

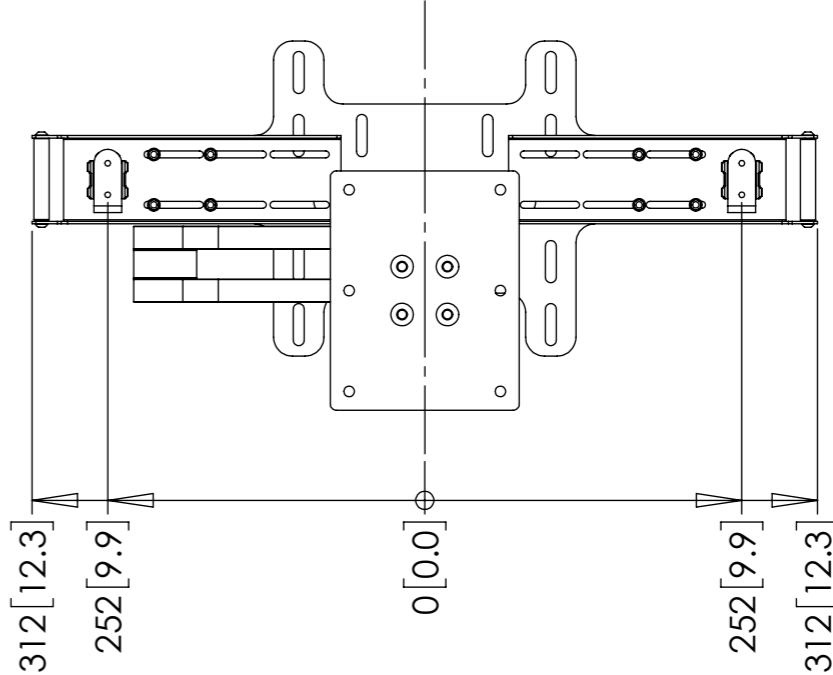
Dimensions

HANDLES HIDDEN

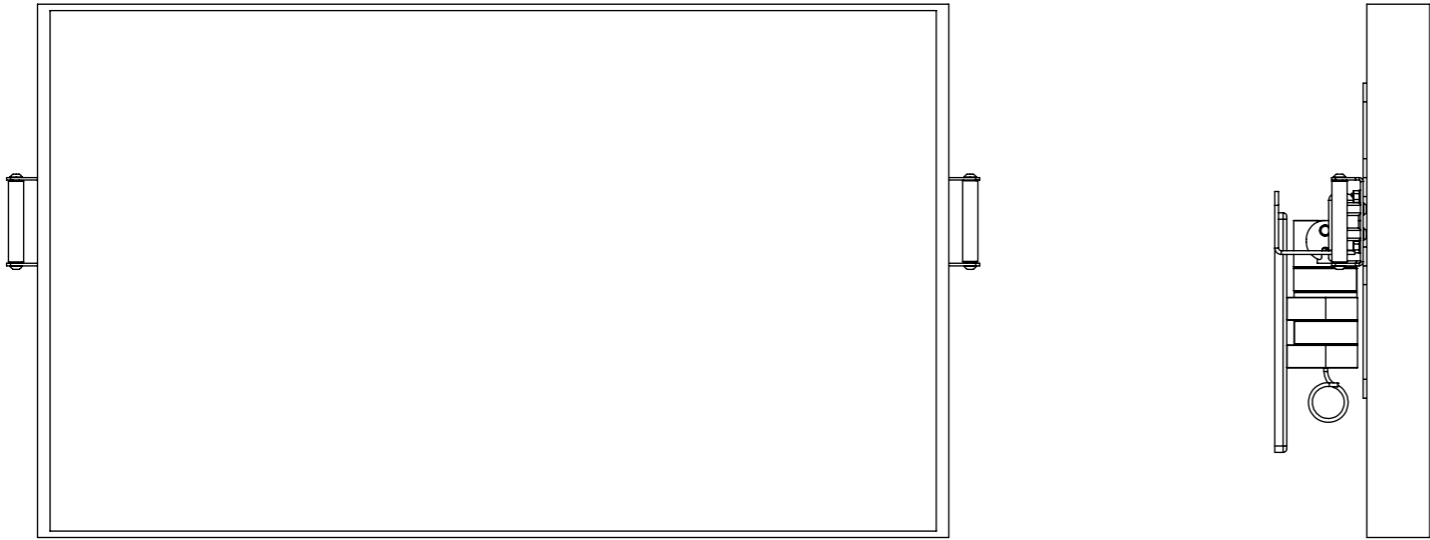
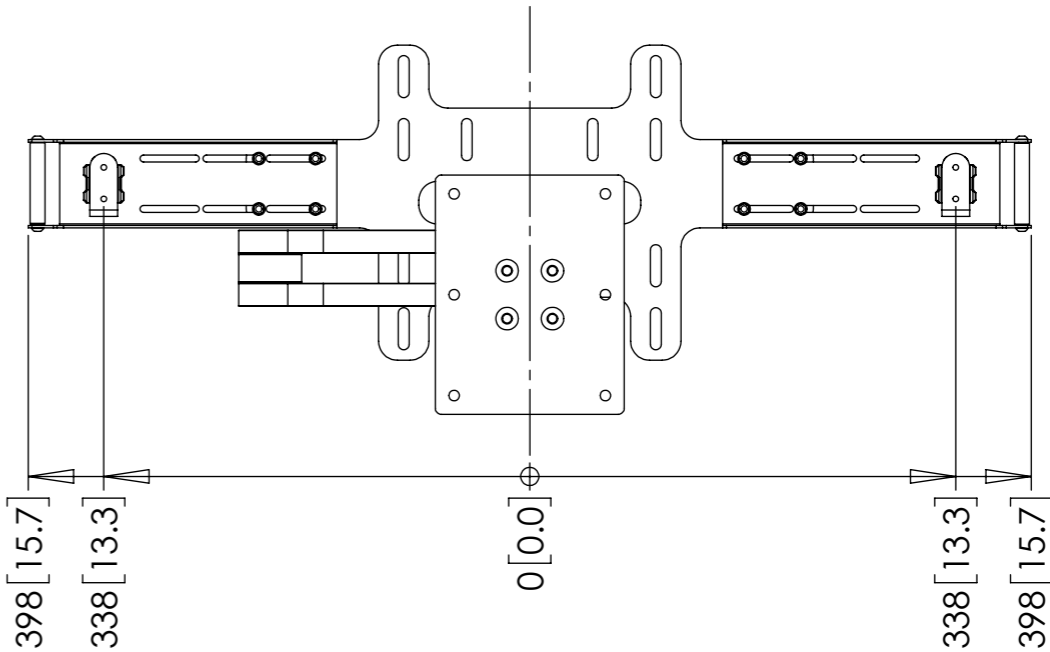


Handle position can be adjusted so that they are either visible or hidden behind the screen.

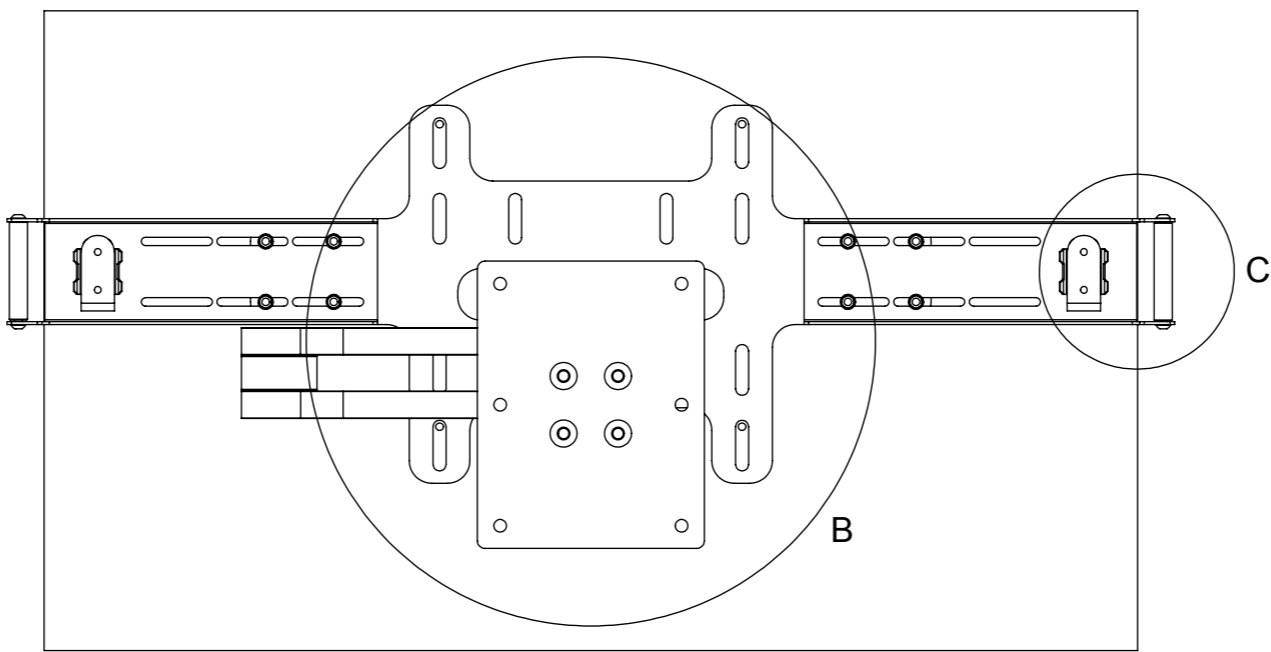
MIN ARM EXTENSION



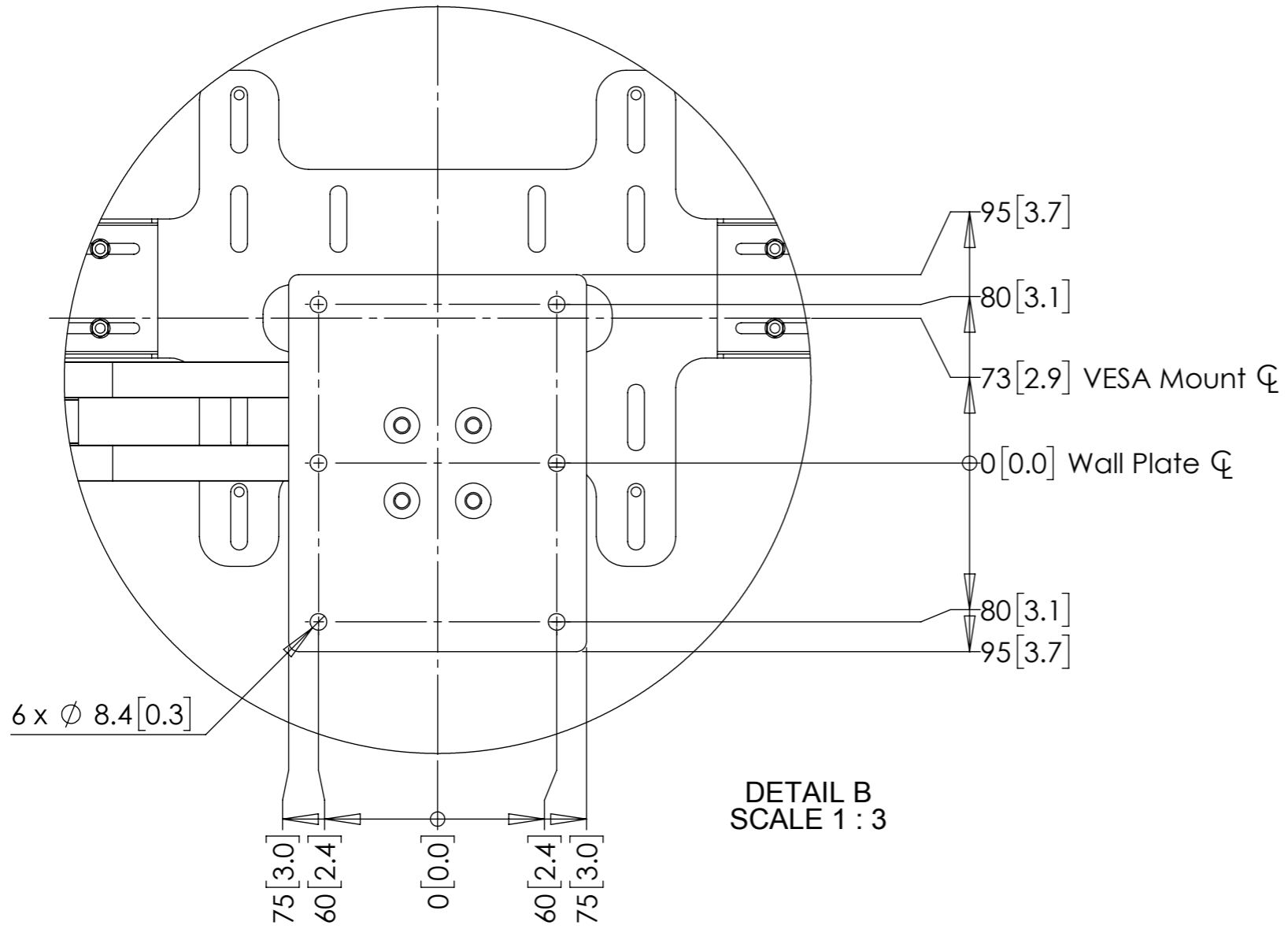
MAX ARM EXTENSION



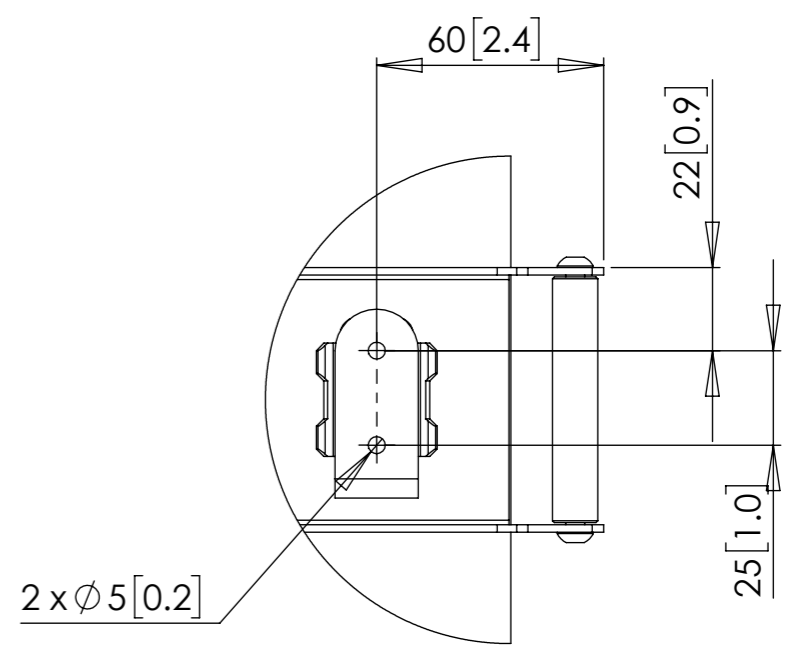
Dimensions - Wall Plates



WALL PLATE



CATCH PLATE



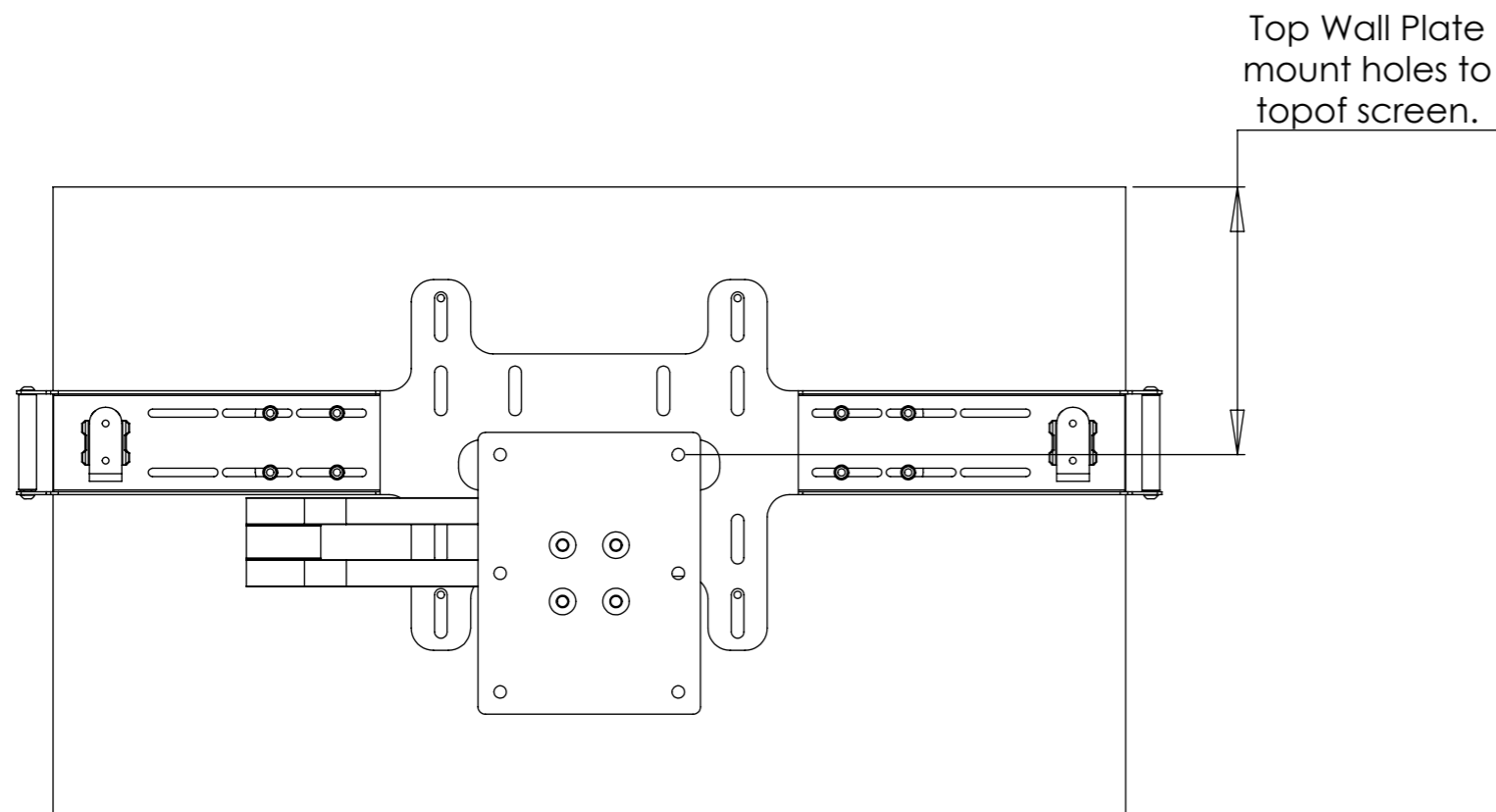
DETAIL C
SCALE 1 : 2

Bracket Installation

STEP 1.

Lay screen face down on floor, offer up the bracket and align screen mount holes with the slots in the uprights.

Adjust bracket vertical position and position of handles as desired and measure distance from top wall plate mount holes to top of screen.



STEP 2.

Fasten wall plate to the dimension taken in the previous step to determine final screen position.

With locks attached to the bracket, offer up to the wall, mark their positions and fasten into place.

