

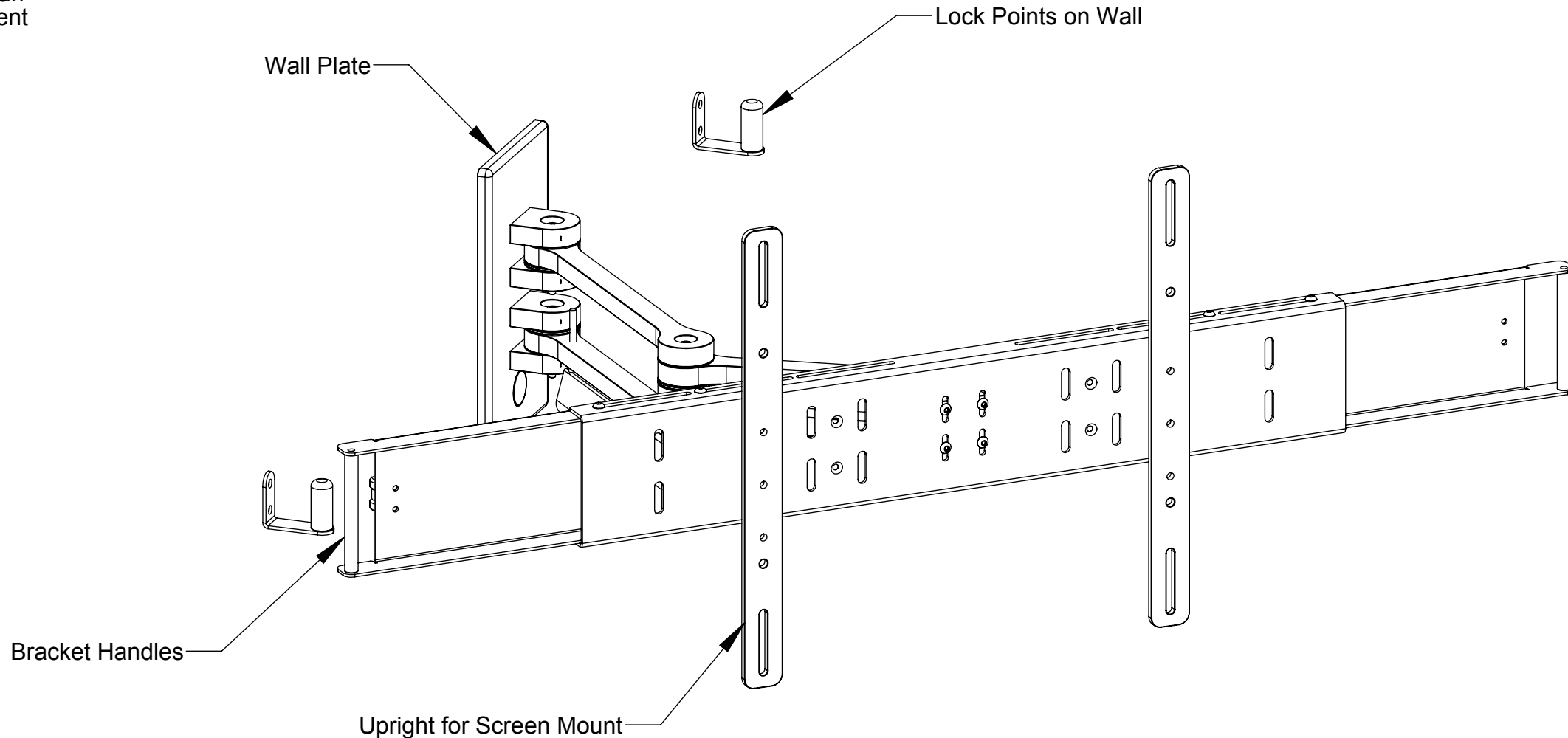


DESIGN HIGHLIGHTS

- Stunning brushed aluminium finish
- Bi-directional swivel
- Strong stylish design
- Locks to hold the bracket in the in position. Ideal for an indoor marine environment

OPTIONS

- Non Marine version available.



FUNCTION

A double arm wall bracket designed for use with medium sized screens. Locks have been added to hold the screen in the In position when used in an indoor marine environment.

Cables for the screen can be routed under the bracket for a neat look.

SUITABILITY

Suitable for screens with VESA 400, 300 & 200 mount pattern.

The M-FSA3-50 wall bracket is suitable for screens from 50" up to 55" with a max weight of 20kg.

The smaller M-FSA3-40 wall bracket is suitable for screens from 40" up to 48" with a max weight of 20kg.

SPECIFYING

Check wall makeup for suitability.

Check viewing angles and position for feasibility.

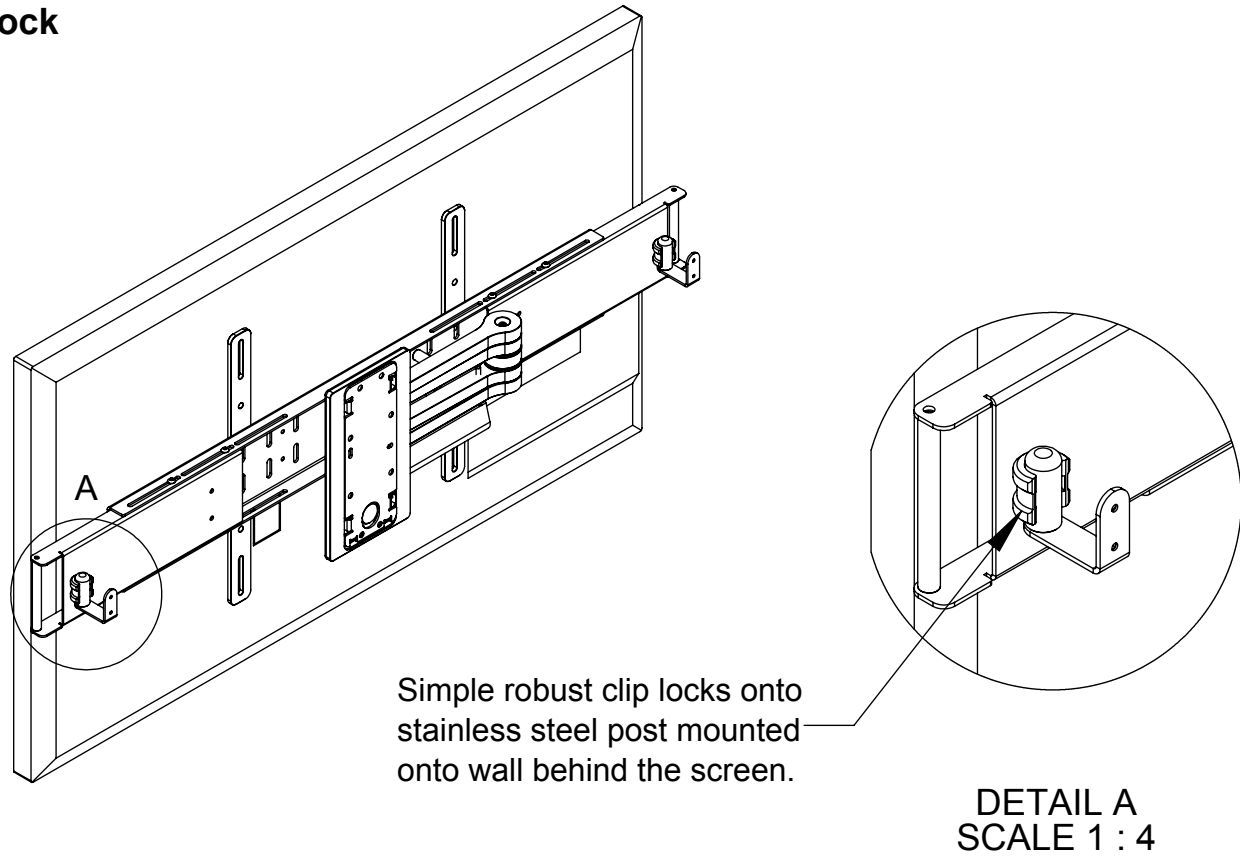
Check screen details for mounting Vesa compatibility.

WARNING IMPORTANT

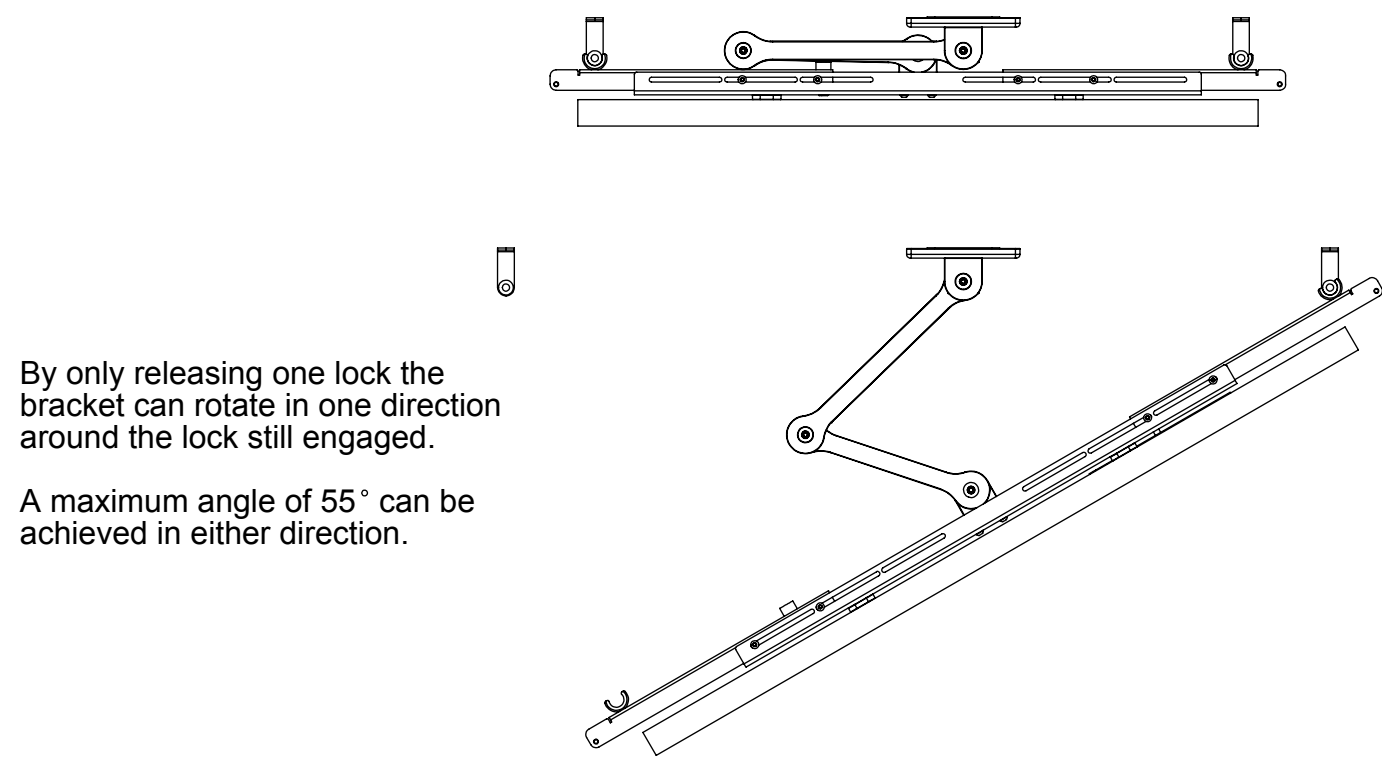
It is the responsibility of the installer to make sure the product is safely secured to the wall.

Cable management is neatly organised and will not be obstructed or pinched by the bracket.

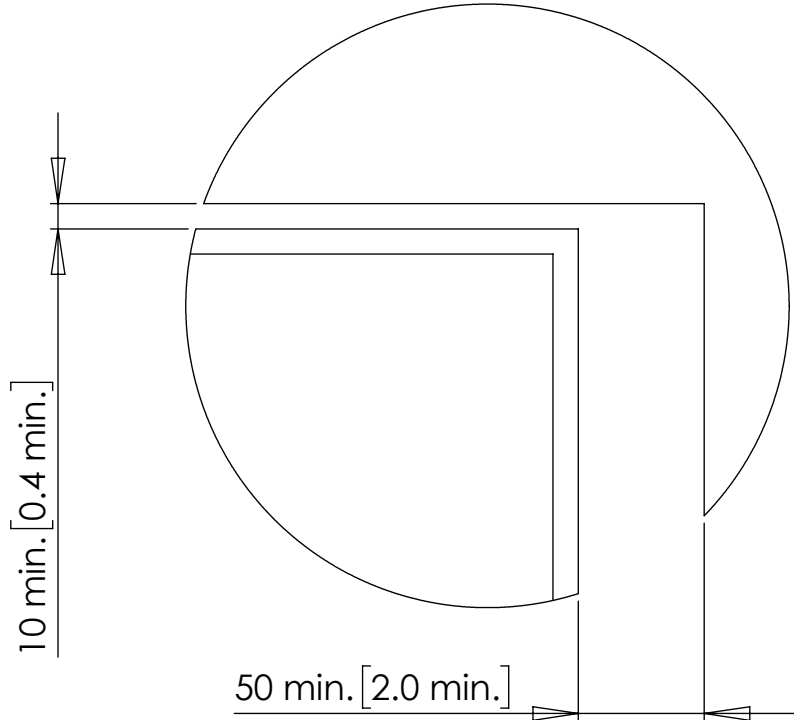
Bracket Lock



Bracket Movement

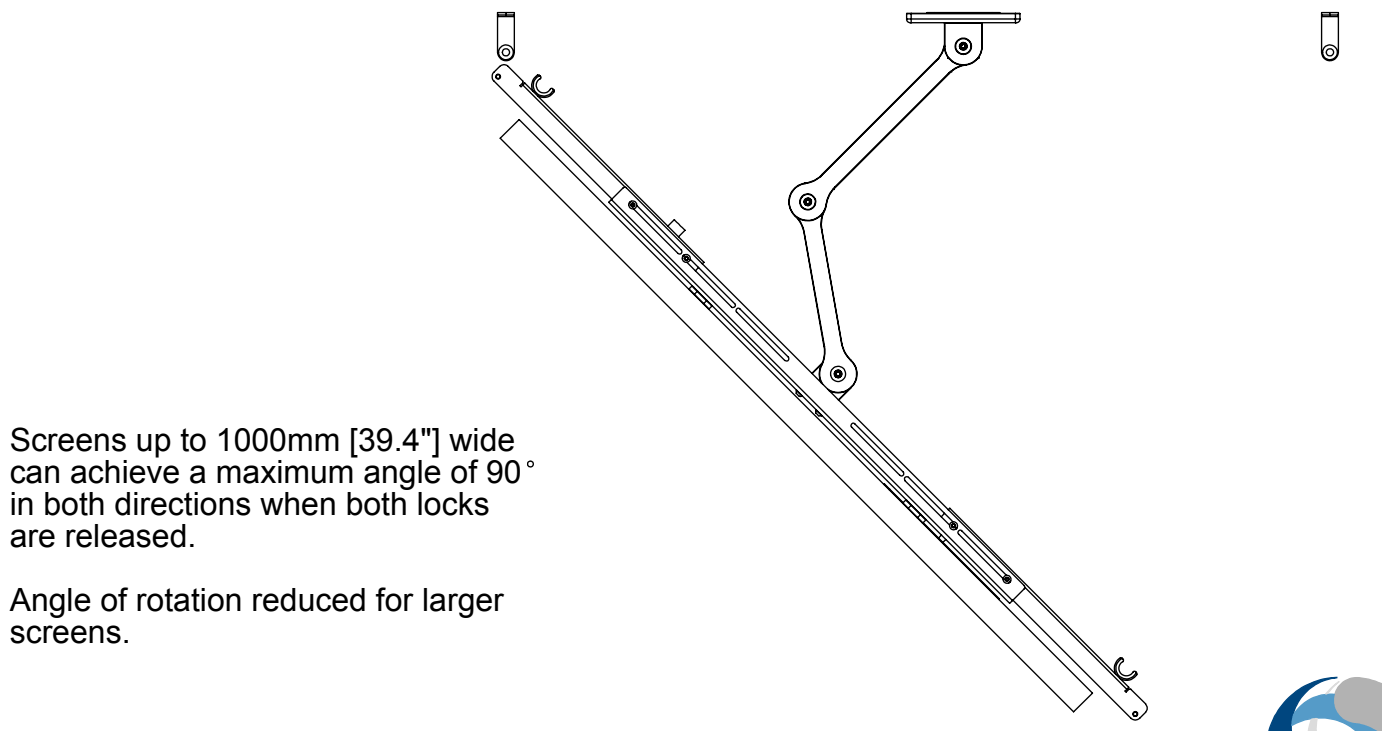


Recess Mounting



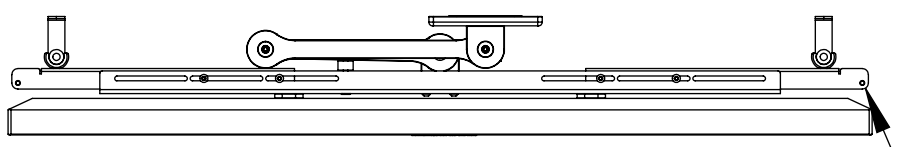
When recessing the bracket a minimum gap of 10mm [0.4"] top and bottom and 50mm [2.0"] sides should be around the screen.

NOTE:
A larger gap at the side is required if the bracket is going to be used by releasing only one lock as shown above right.

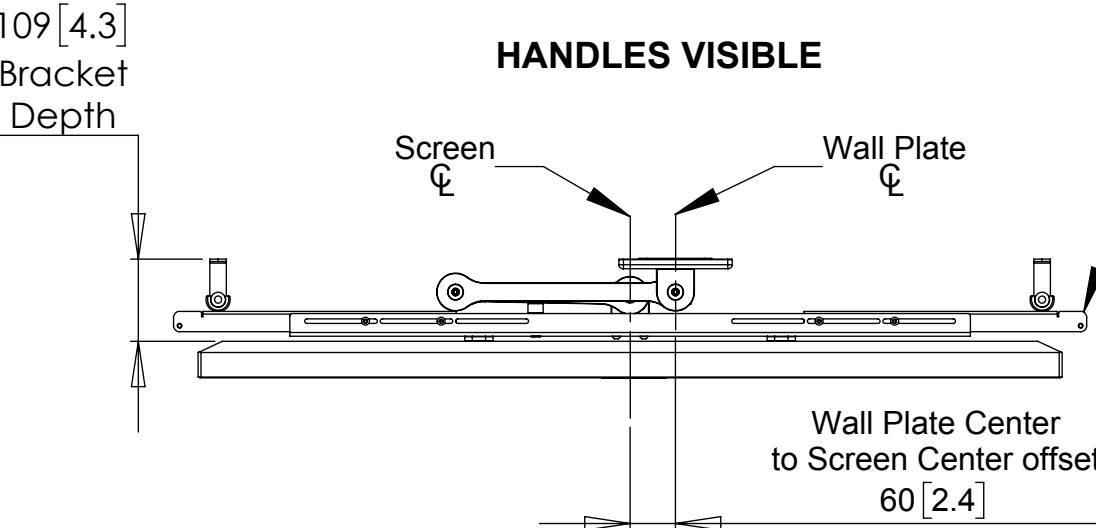


Dimensions - 50

HANDLES HIDDEN

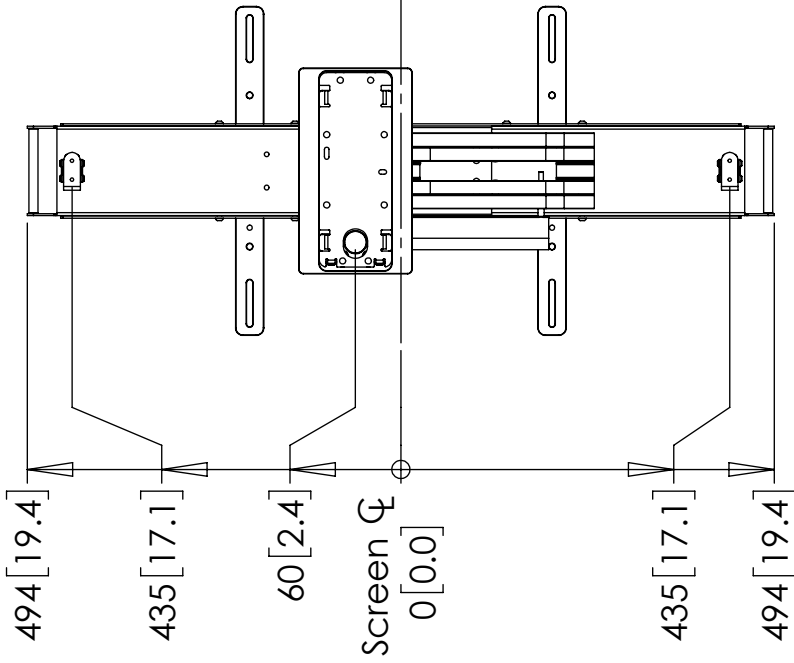


HANDLES VISIBLE

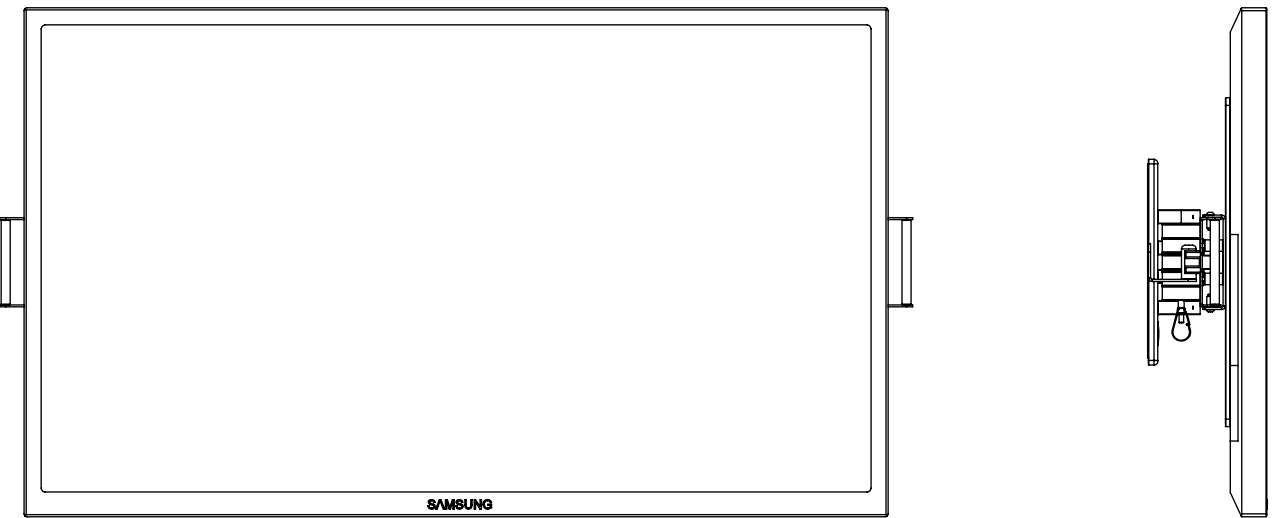
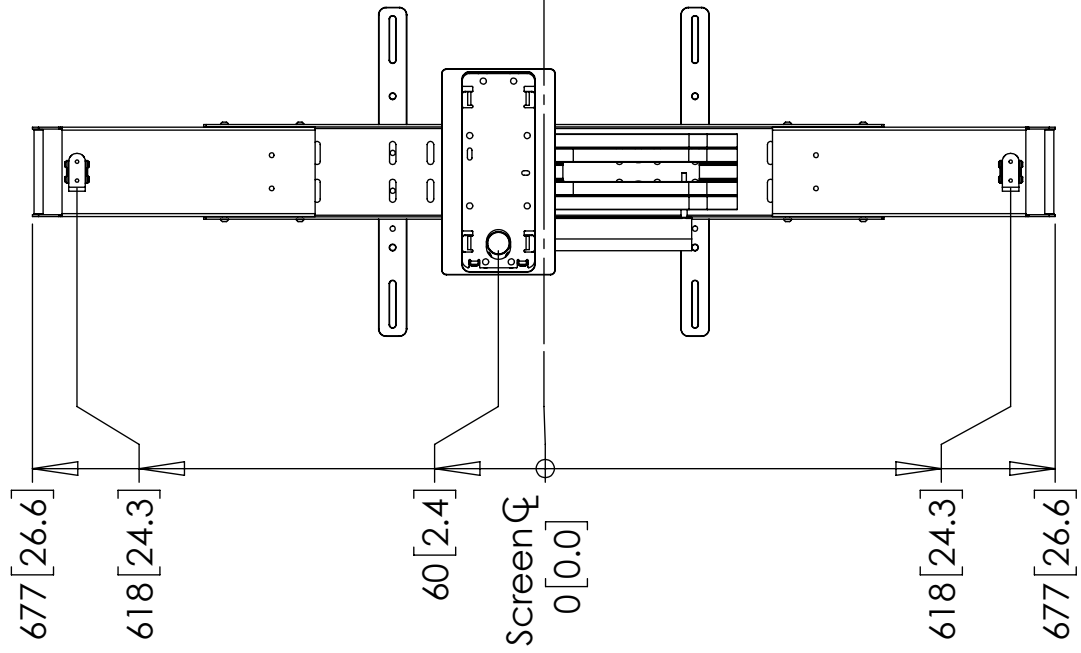


Handle position can be adjusted so that they are either visible or hidden behind the screen.

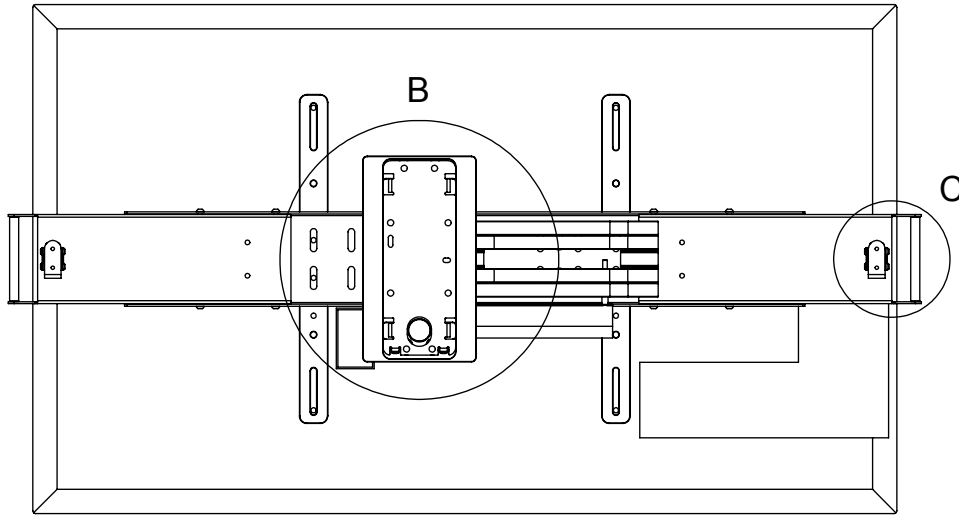
MIN ARM EXTENSION



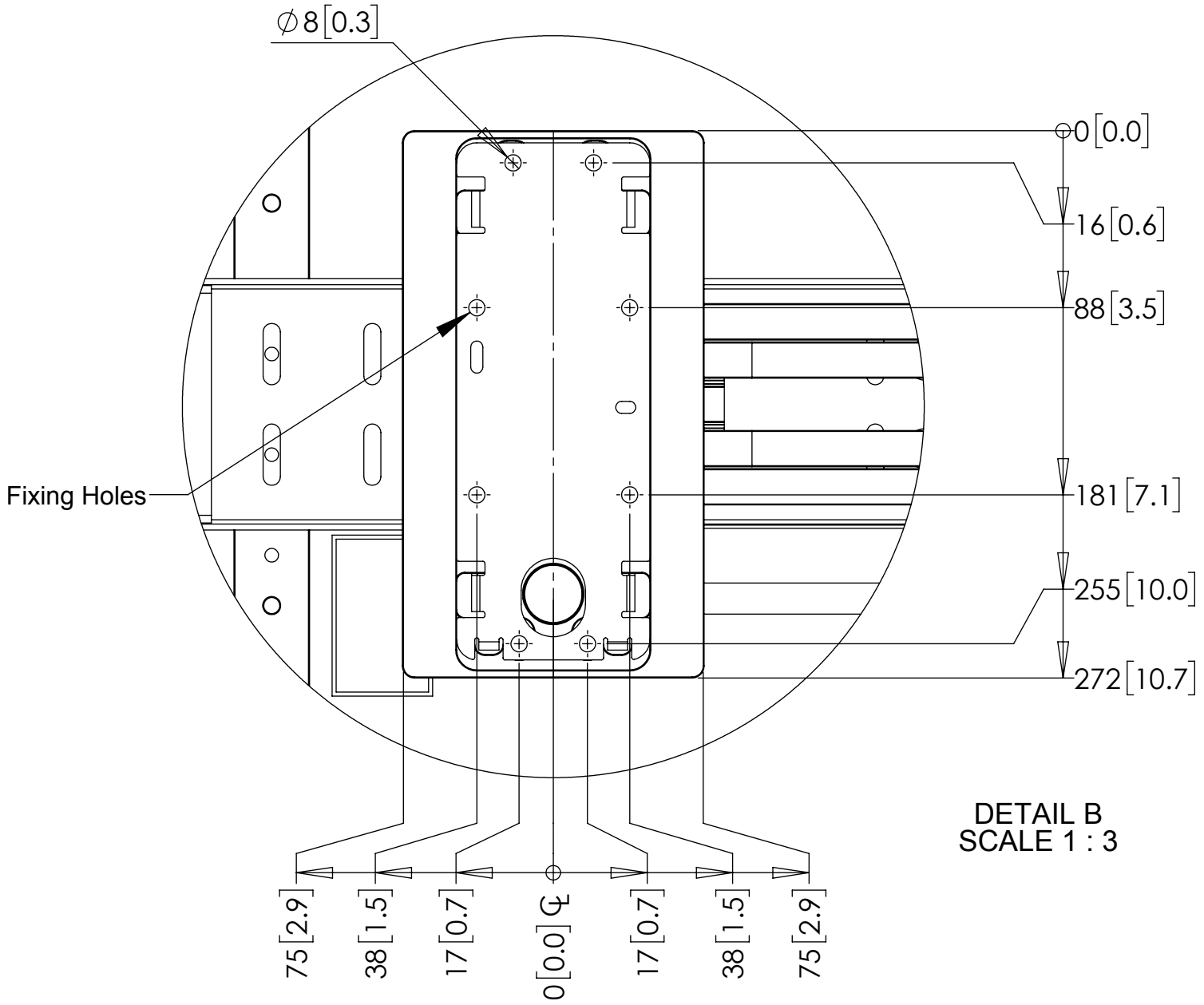
MAX ARM EXTENSION



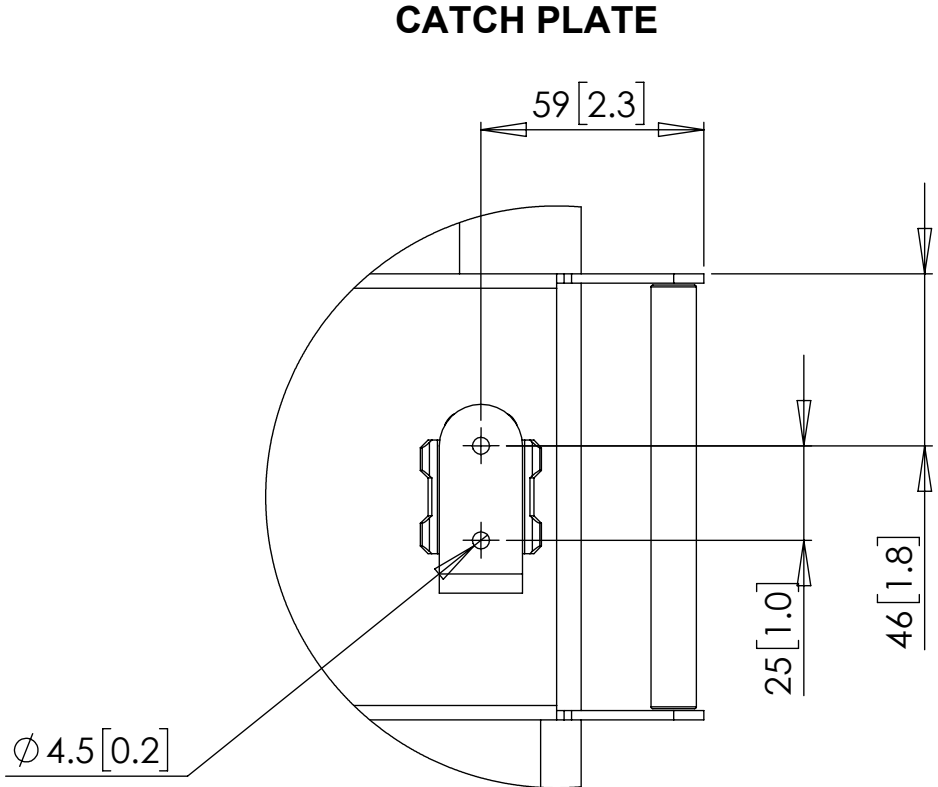
Dimensions - Wall Plates



WALL PLATE



**DETAIL B
SCALE 1 : 3**



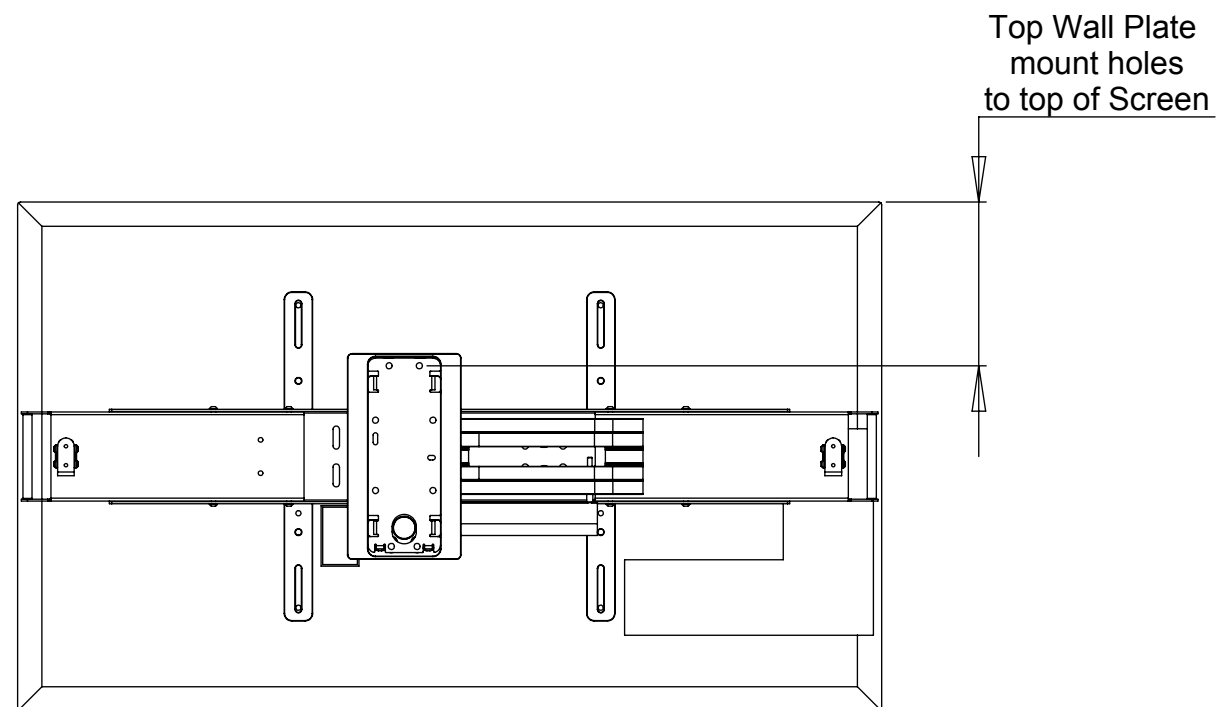
**DETAIL C
SCALE 1 : 2**

Bracket Installation

STEP 1.

Lay screen face down on floor, offer up the bracket and align screen mount holes with the slots in the uprights.

Adjust bracket vertical position and position of handles as desired and measure distance from top wall plate mount holes to top of screen.



STEP 2.

Fasten wall plate to the wall using the 60mm horizontal centers offset and the dimension taken in the previous step to determine final screen position.

Hook bracket onto wall plate with locks attached, mark their positions on the wall and fasten into place.

