

Design Highlights

Quick and simple mechanism installation.

Available with two different drop options. Standard drop is 740mm (29.1") and Long drop is 1200mm (47.2").

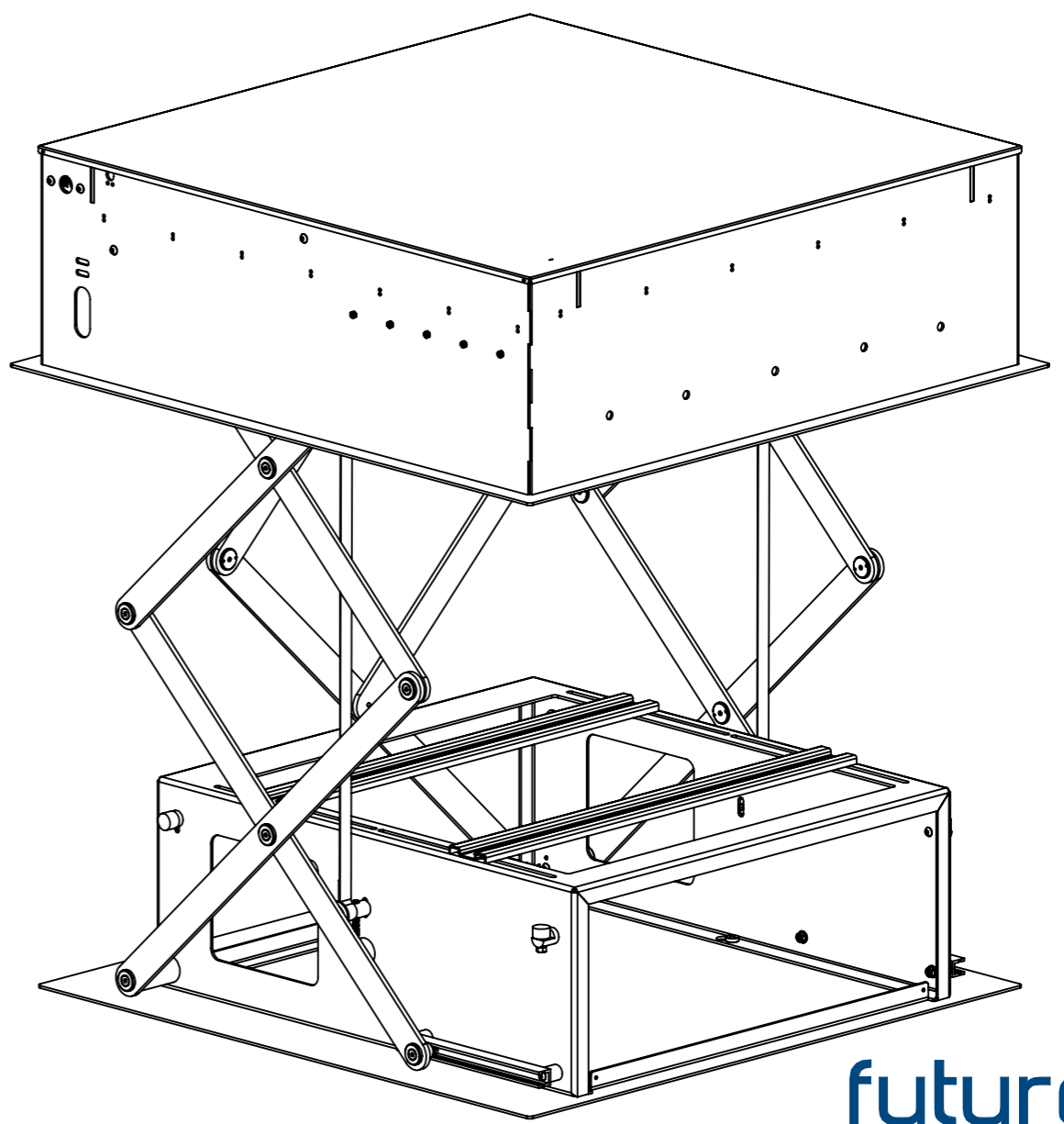
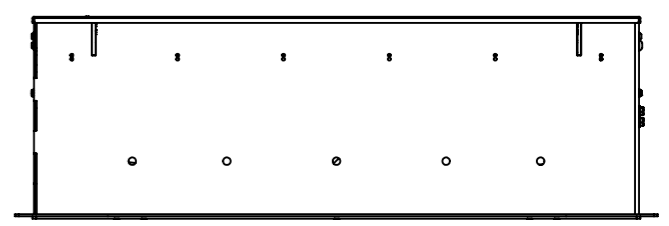
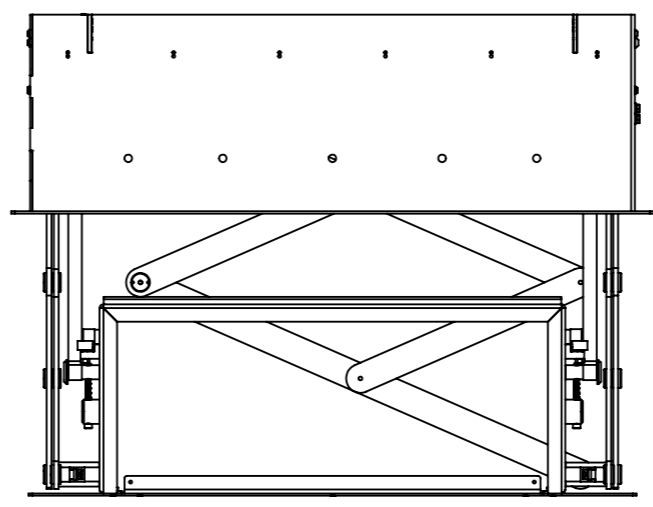
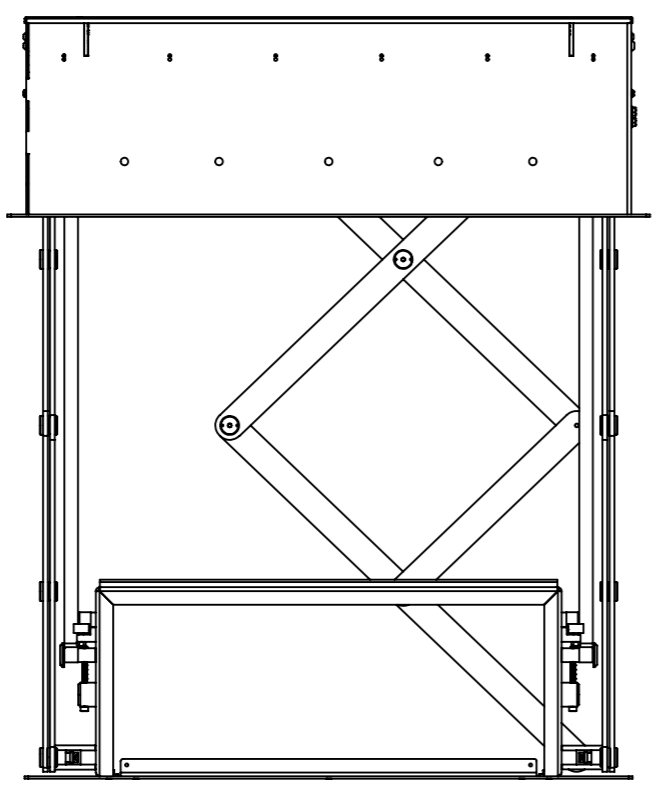
Full cable management keeps all power and signal cables as neat and tidy as possible.

Top cover panel finishes internal void in matching white satin finish.

Slotted mounting system provides easily adjustable installation for almost any projector.

Standard control box can also control a third party product such as a projector screen.

VIEWS BELOW SHOW ACTION FROM IN POSITION TO DOWN POSITION

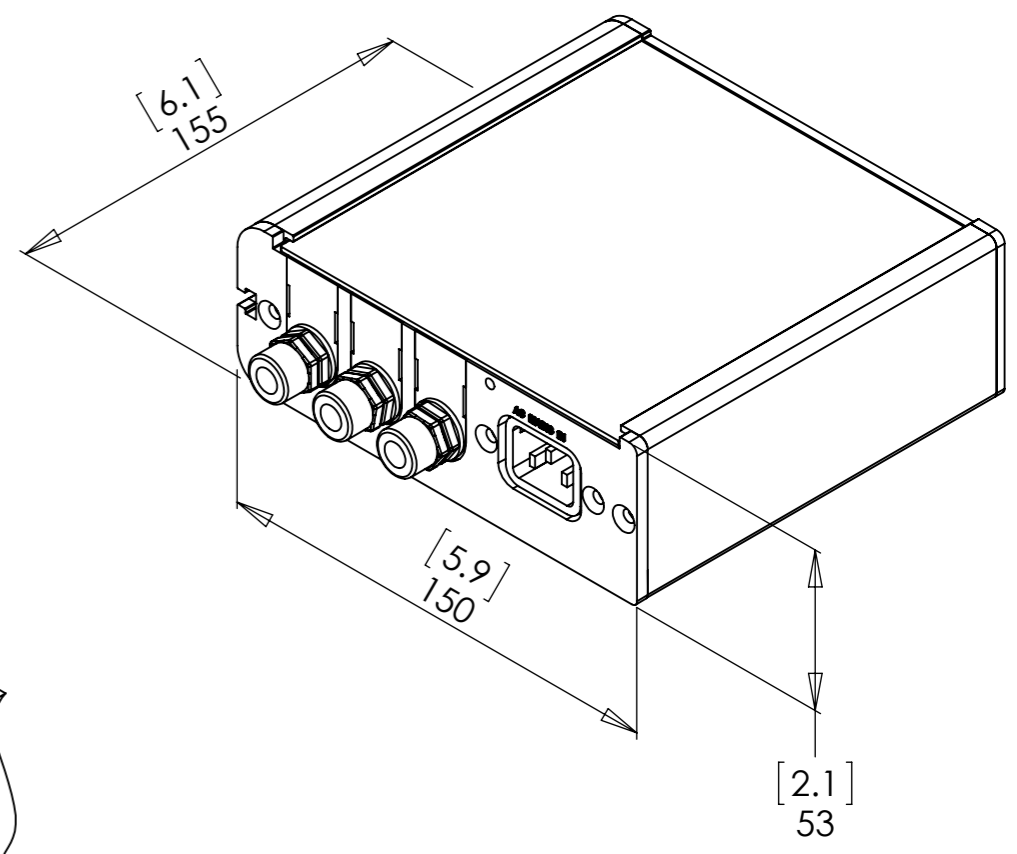
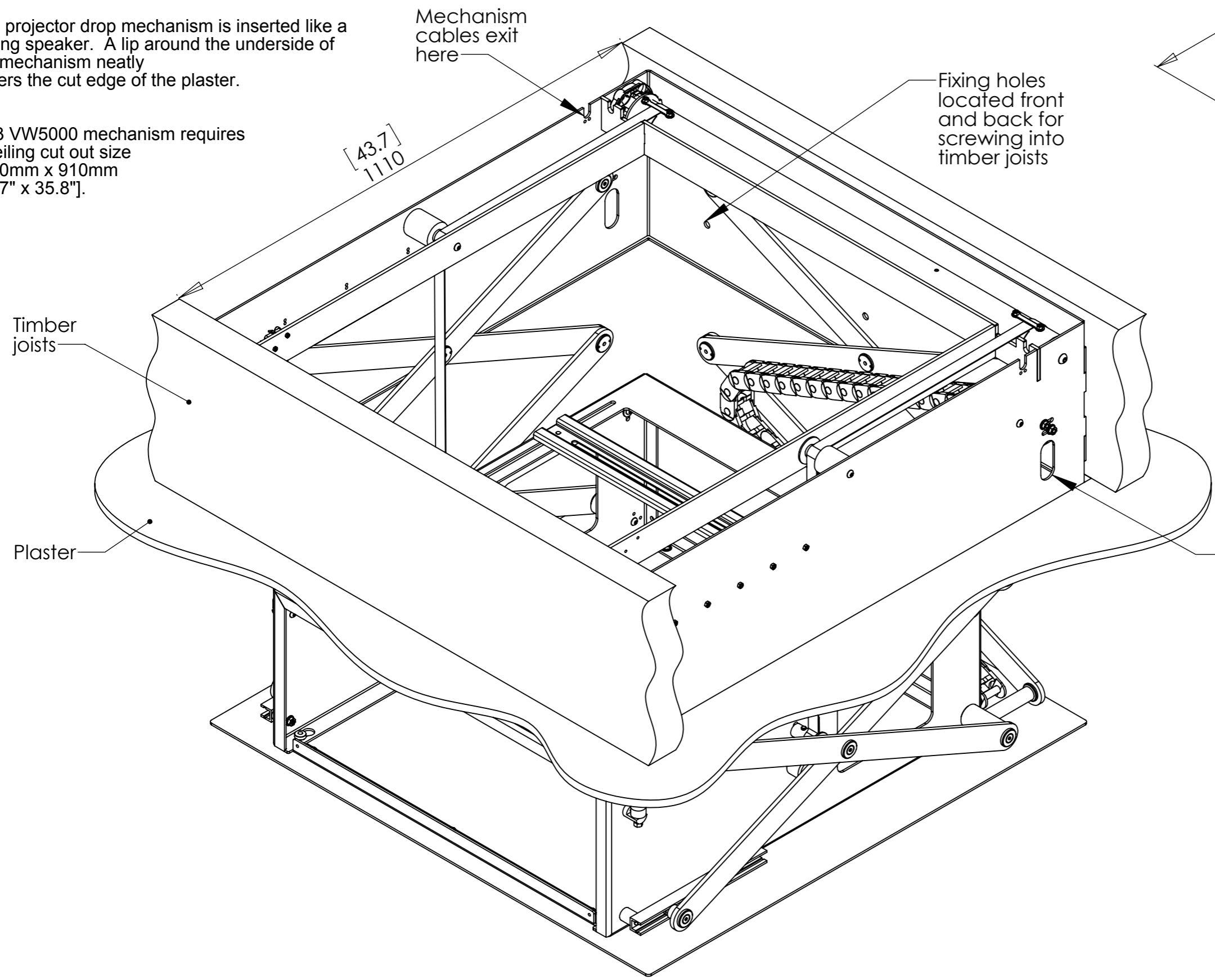


Ceiling Details

Below shows the PD3 VW5000 installed in a ceiling. The top cover panel is not shown to aid clarity.

The projector drop mechanism is inserted like a ceiling speaker. A lip around the underside of the mechanism neatly covers the cut edge of the plaster.

PD3 VW5000 mechanism requires a ceiling cut out size 1110mm x 910mm [43.7" x 35.8"].



Projector cables exit here

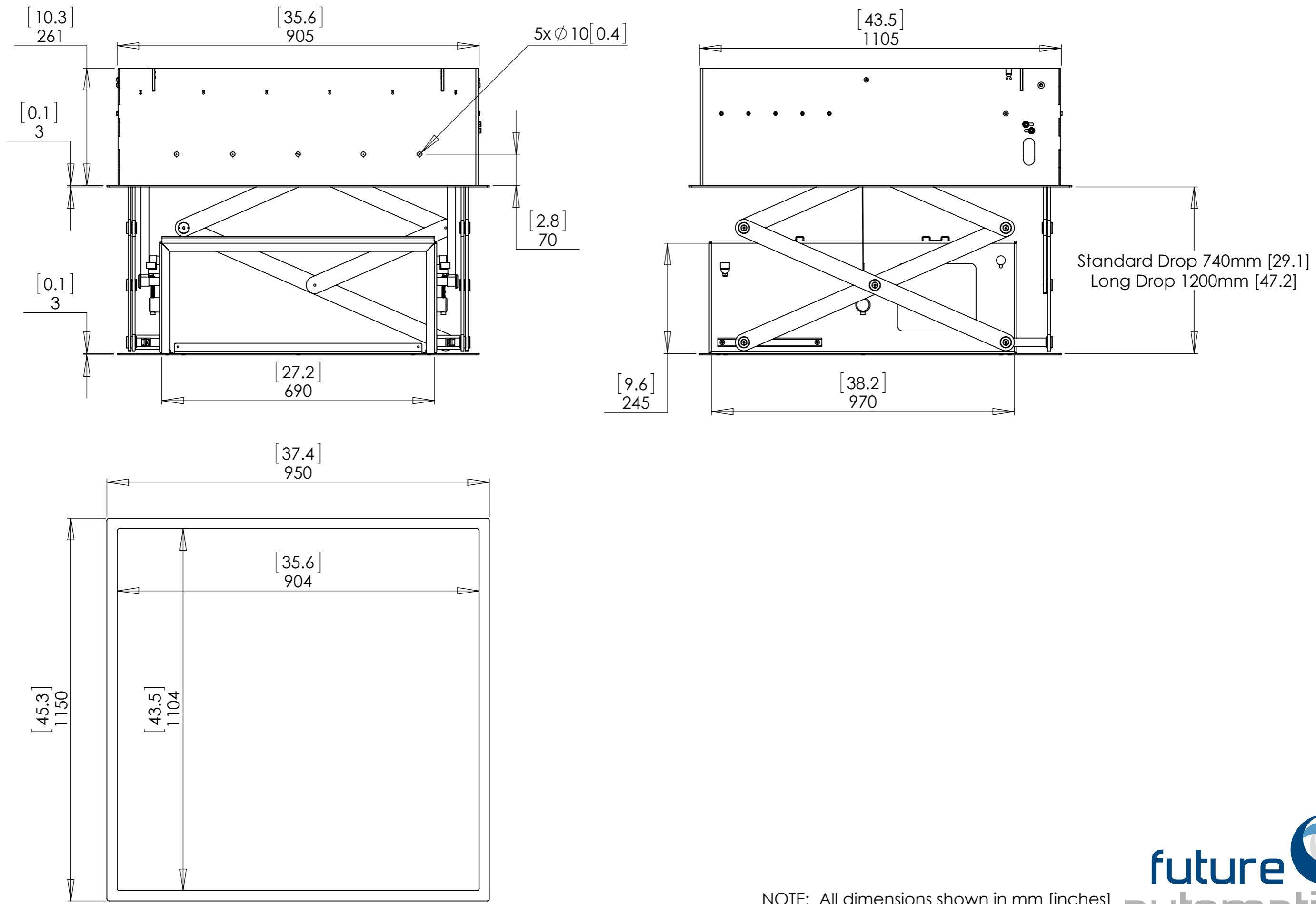
CONTROL BOX

The size of the mechanism control box is shown above. This must be located in an easily accessible location.

In the cases where the mechanism cables need to be extended, a four core mains cable and a three core low voltage cable need to be run from the mechanism to the control box.

The control box can also be used to control an electric projector screen (standard four core mains type).

PD3 VW5000 - Projector Drop Mechanism



NOTE: All dimensions shown in mm [inches]