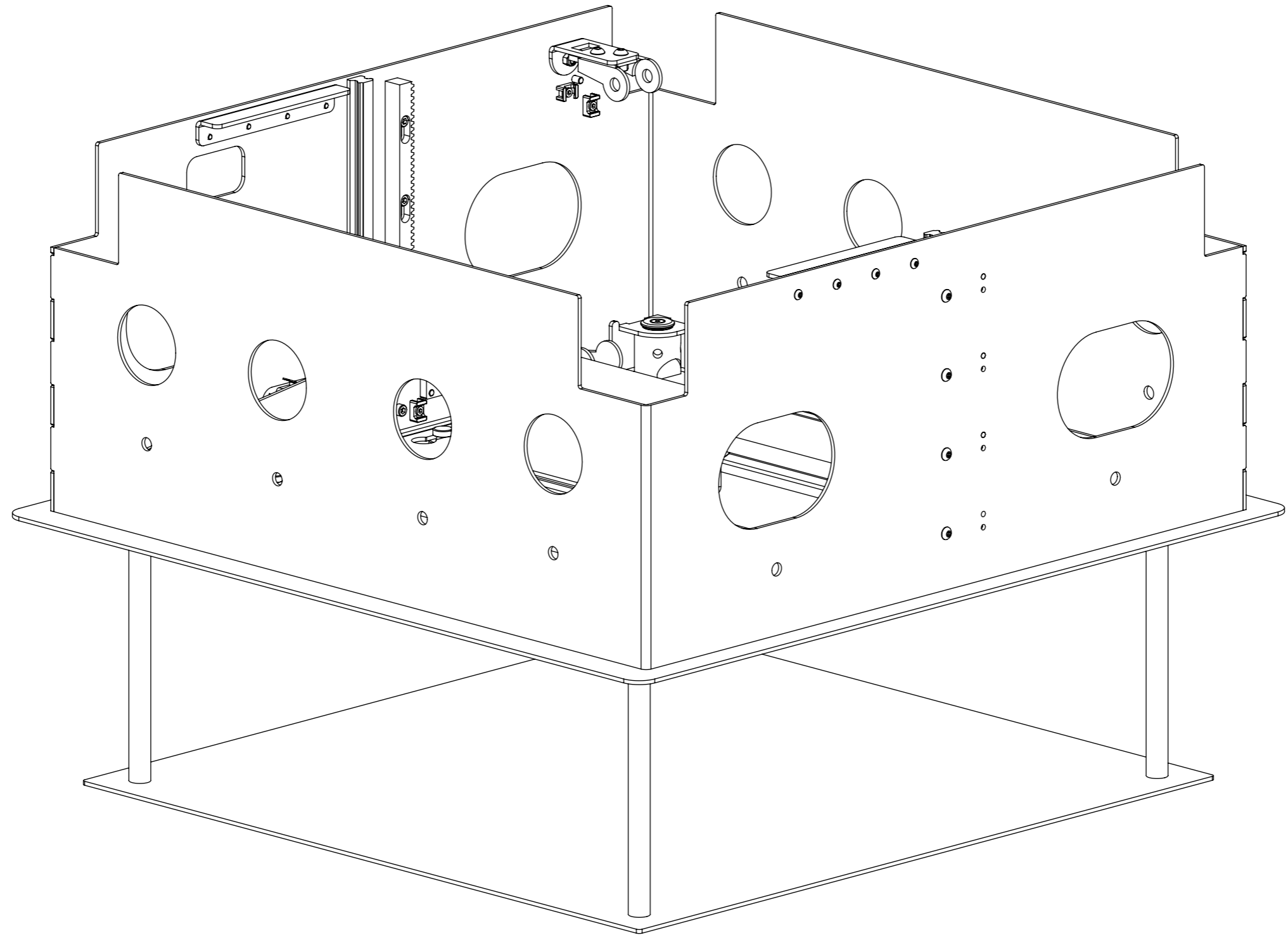


PDM2

PROJECTOR DROP MARINE MECHANISM



future automation



SPECIFICATION	MEASUREMENTS
Product Dimensions	657mm (25.87") x 676mm (26.61") x 276mm (10.87")
Maximum Projector Size	490mm (19.29") x 510mm (20.08") x 190mm (7.48")
Maximum Weight Capacity	25Kg (55lb)
Maximum Speed	26mm/s
Travel From Ceiling	200mm(7.87")
Depth Within Ceiling	270mm(10.62")
Product Weight	25kg(55lb)
Packaging Dimensions	TBC
Shipping Weight	TBC
Movement Type	Motorised
Power Supply Required	110V - 240V AC
Power Consumption Max.	110W
Power Consumption Standby	3W
Control Options	IR Remote, RS232, Contact Closure
Product Options / Features	Specific Projector mounts / adapters, Custom RAL paint finishes, Marine suitable version, Custom size Variants
Package Contents	Mechanism, IR remote control
Marine Suitable	Yes
Outdoor Suitable	No

PROJECTOR DROP MARINE MECHANISM

Design Highlights

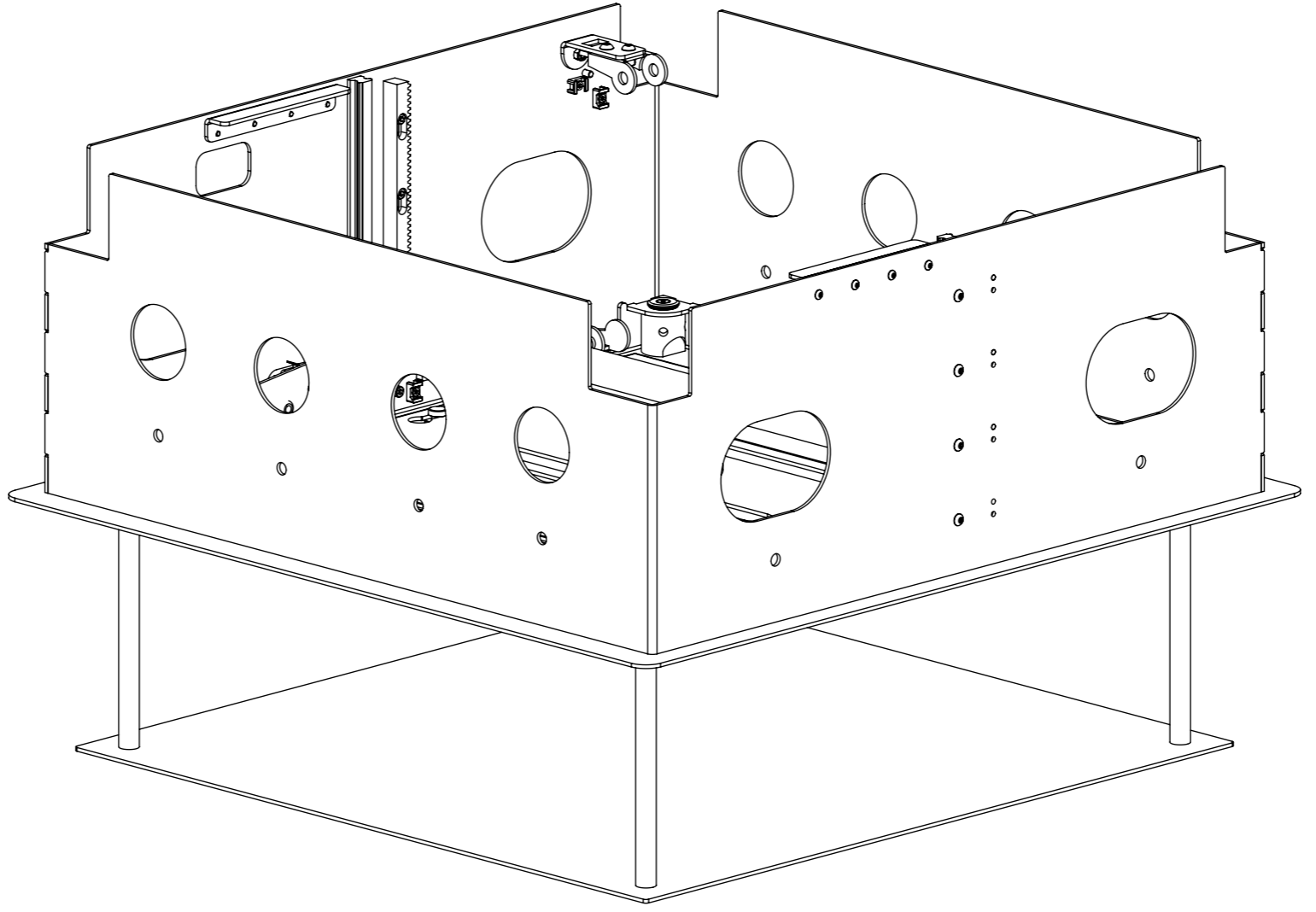
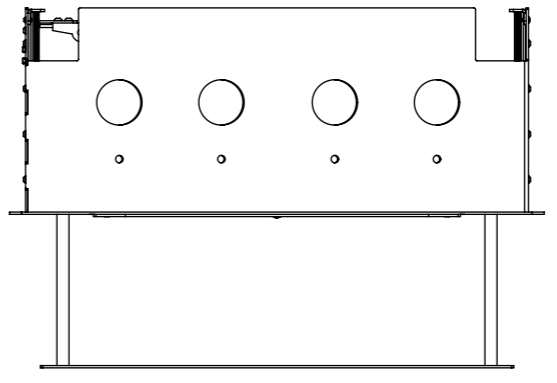
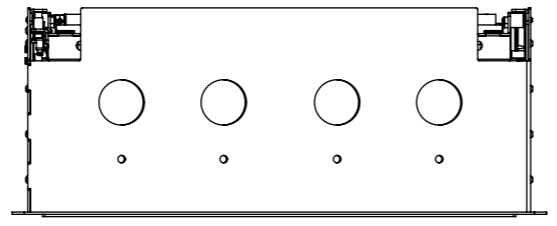
Quick and simple mechanism installation.

Full cable management keeps all power and signal cables as neat and tidy as possible.

Slotted mounting system provides easily adjustable installation for almost any projector.

Standard control box can also control a third party product such as a projector screen.

VIEWS BELOW SHOW ACTION FROM IN POSITION TO DOWN POSITION



PDM2

PROJECTOR DROP MARINE MECHANISM

Ceiling Details

Below shows the PDM2 installed in a ceiling. The top cover panel is not shown to aid clarity.

The projector drop mechanism is inserted like a ceiling speaker. A lip around the underside of the mechanism neatly covers the cut edge of the plaster.

PDM2 mechanism requires a ceiling cut out size 620mm x 620mm [24.41" x 24.41"].

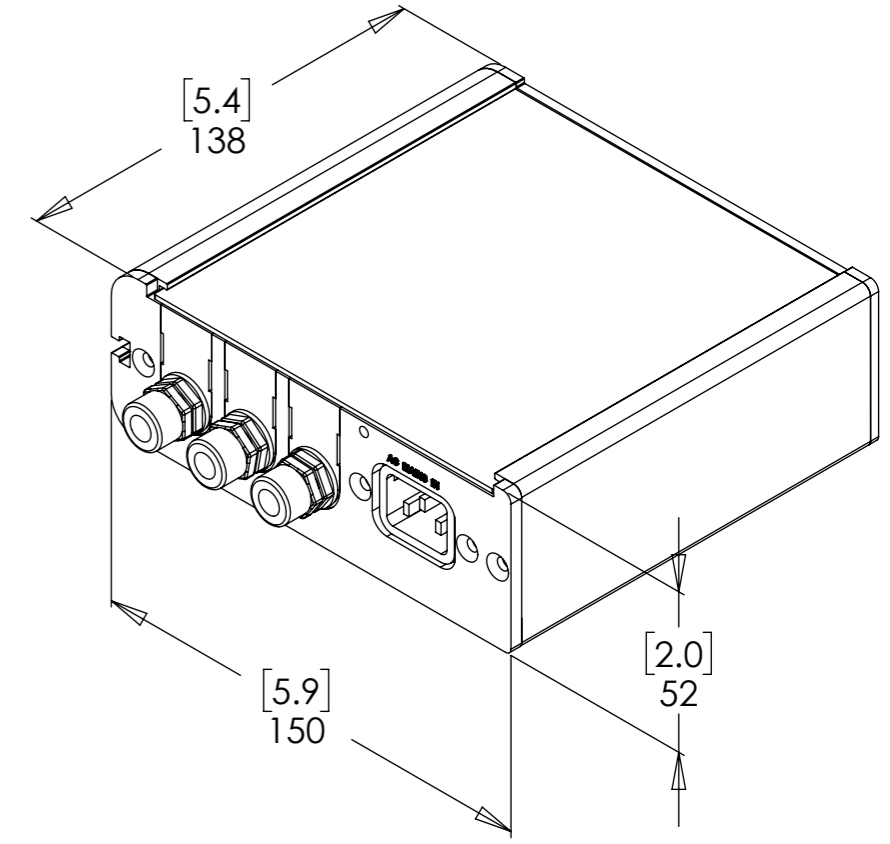
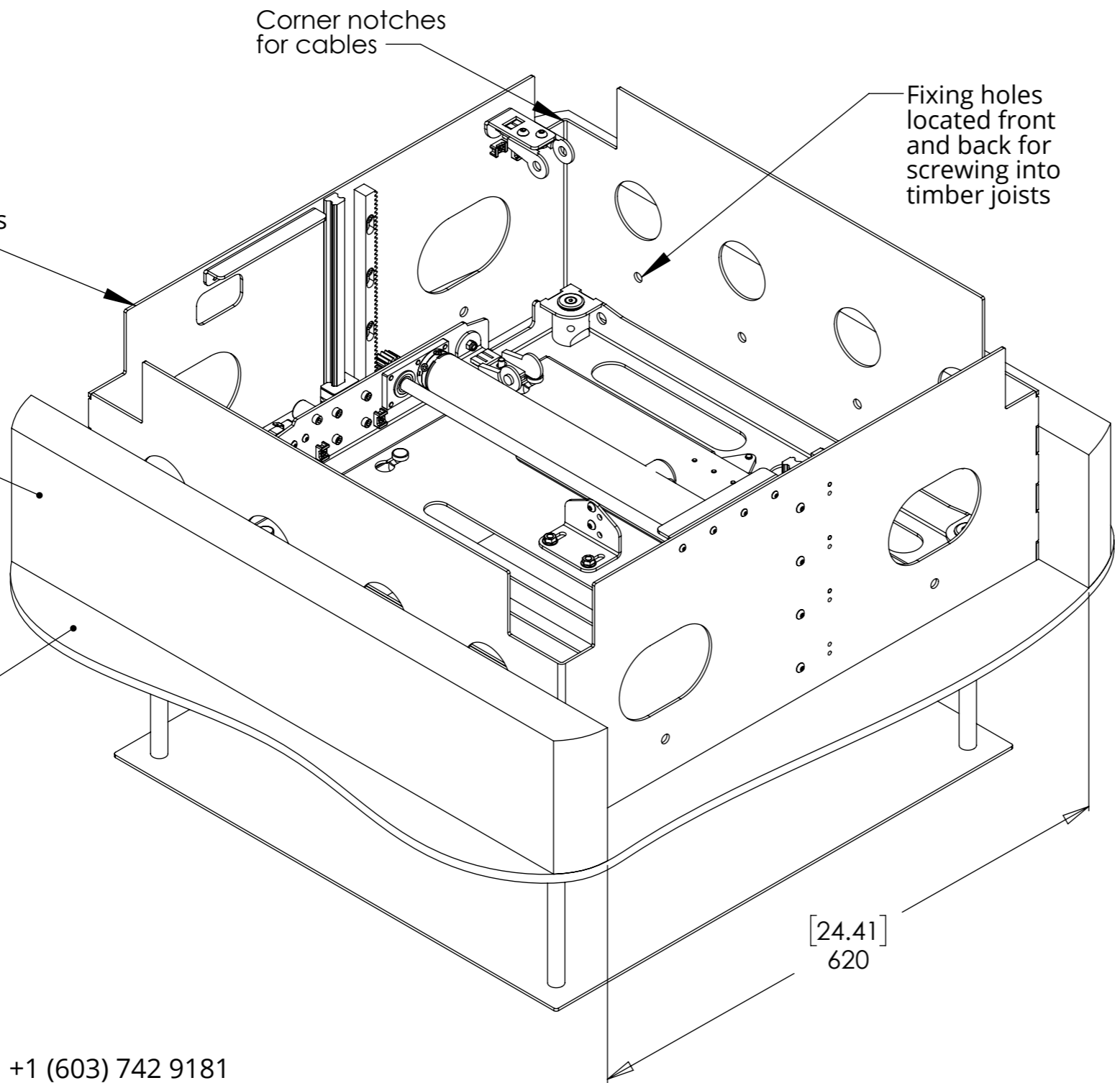
Requires painted ceiling/underboards or panel above

Corner notches for cables

Fixing holes located front and back for screwing into timber joists

Timber joists

Plaster



Control Box

The size of the mechanism control box is shown above. This must be located in an easily accessible location.

In the cases where the mechanism cables need to be extended, a four core mains cable and a three core low voltage cable need to be run from the mechanism to the control box.

The control box can also be used to control an electric projector screen (standard four core mains type).

General Dimensions

