

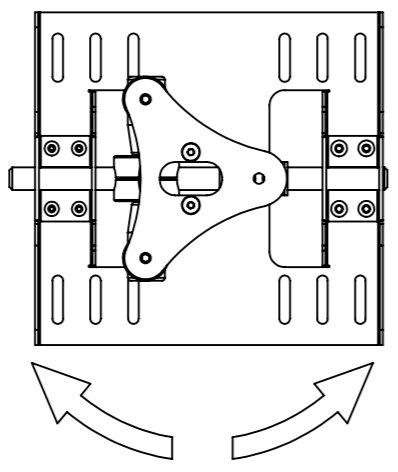


**DESIGN HIGHLIGHTS**

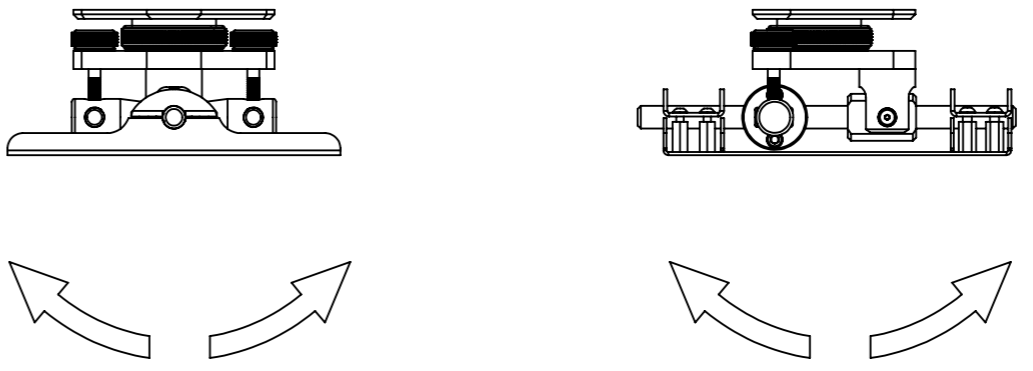
- Beautiful machined aluminium finish
- Complete lead-screw adjustment of all pitches of angle
- Range of fixed and telescopic poles available
- Hook on hook off installation

**OPTIONS**

- Marine suitable option
- IP Rated option for outdoor use
- Telescopic Pole add on
- Fixed length pole add on
- 1 1/2" NPT pole coupling



**Movement Directions**



**FUNCTION**

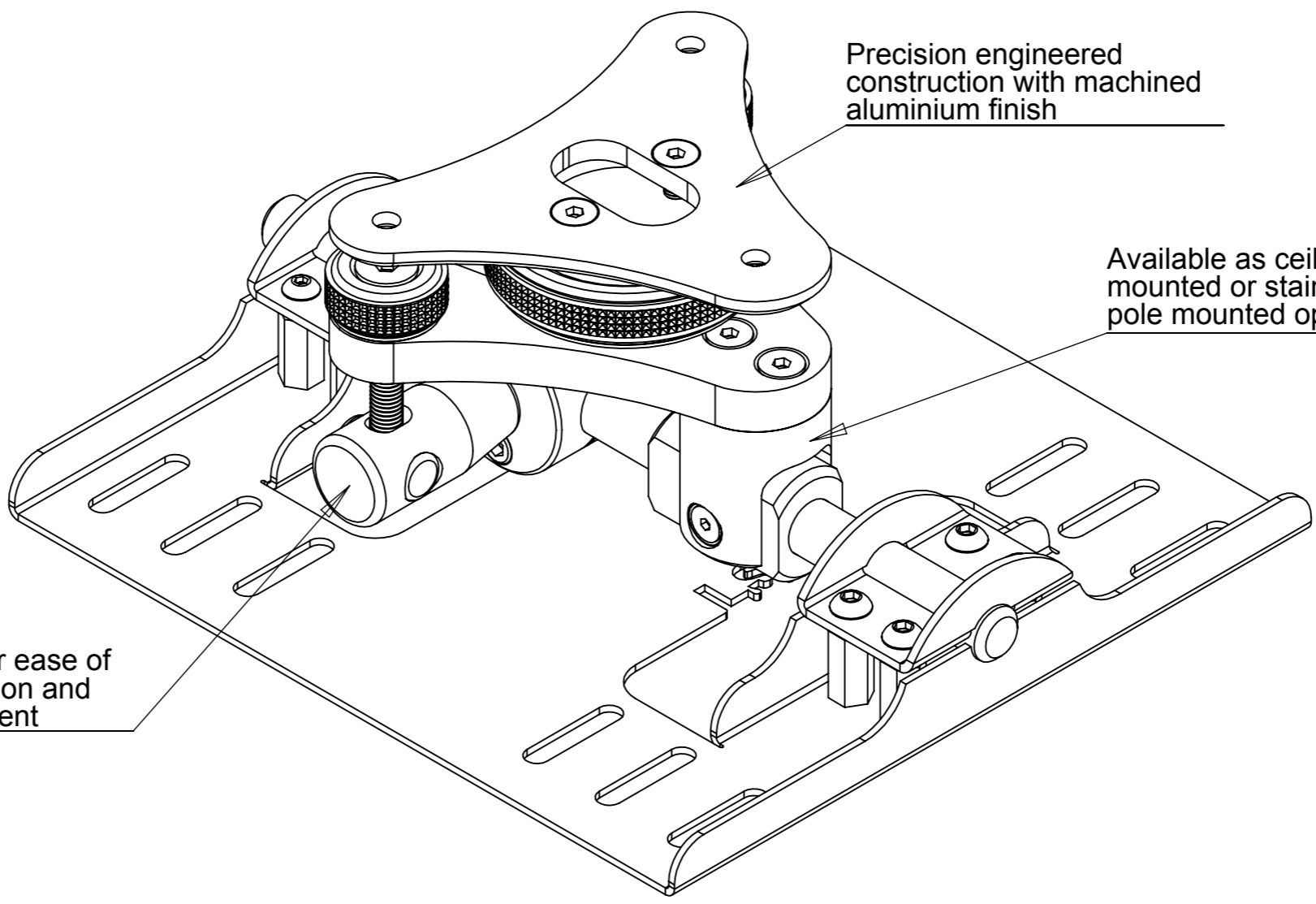
A manual projector mount, enabling adjustment of projector pitch, roll and yaw.  
Supreme ease of installation.

**SUITABILITY**

Part of an extensive range.  
Available as ceiling or pole mounted.

**SPECIFYING**

Check suitability of ceiling before mounting any projector.



Precision engineered construction with machined aluminium finish

Available as ceiling mounted or stainless steel pole mounted option

Superior ease of installation and adjustment

**WARNING**

It is the responsibility of the installer to warn all potential end users of the dangers of interfering with mechanisms during operation

**IMPORTANT**

Mechanisms which lift or move weights need to be checked on a yearly basis for any damage which may result in an accident



## General Dimensions

