

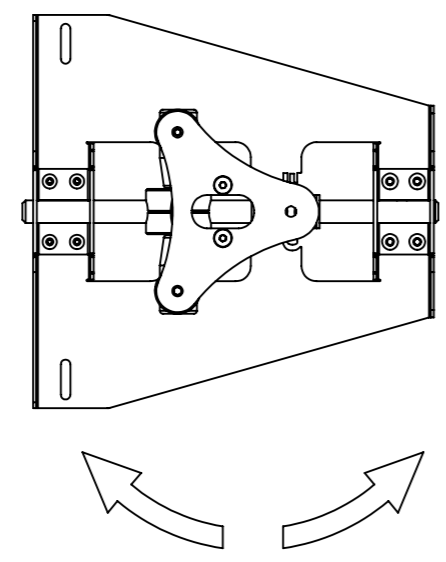


DESIGN HIGHLIGHTS

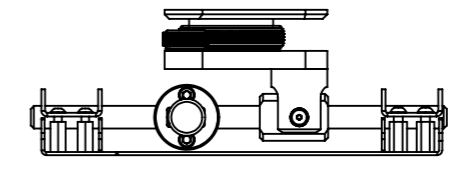
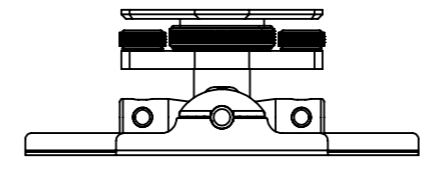
- Beautiful machined aluminium finish
- Complete lead-screw adjustment of all pitches of angle
- Range of fixed and telescopic poles available
- Hook on hook off installation

OPTIONS

- Marine suitable option
- IP Rated option for outdoor use
- Telescopic Pole add on
- Fixed length pole add on
- 1 1/2" NPT pole coupling



Movement Directions



Superior ease of installation and adjustment

Precision engineered construction with machined aluminium finish

Available as ceiling mounted or stainless steel pole mounted option

FUNCTION

A manual projector mount, enabling adjustment of projector pitch, roll and yaw.
Supreme ease of installation.

SUITABILITY

Part of an extensive range.
Available as ceiling or pole mounted.

SPECIFYING

Check suitability of ceiling before mounting any projector.

WARNING

It is the responsibility of the installer to warn all potential end users of the dangers of interfering with mechanisms during operation

IMPORTANT

Mechanisms which lift or move weights need to be checked on a yearly basis for any damage which may result in an accident



General Dimensions

