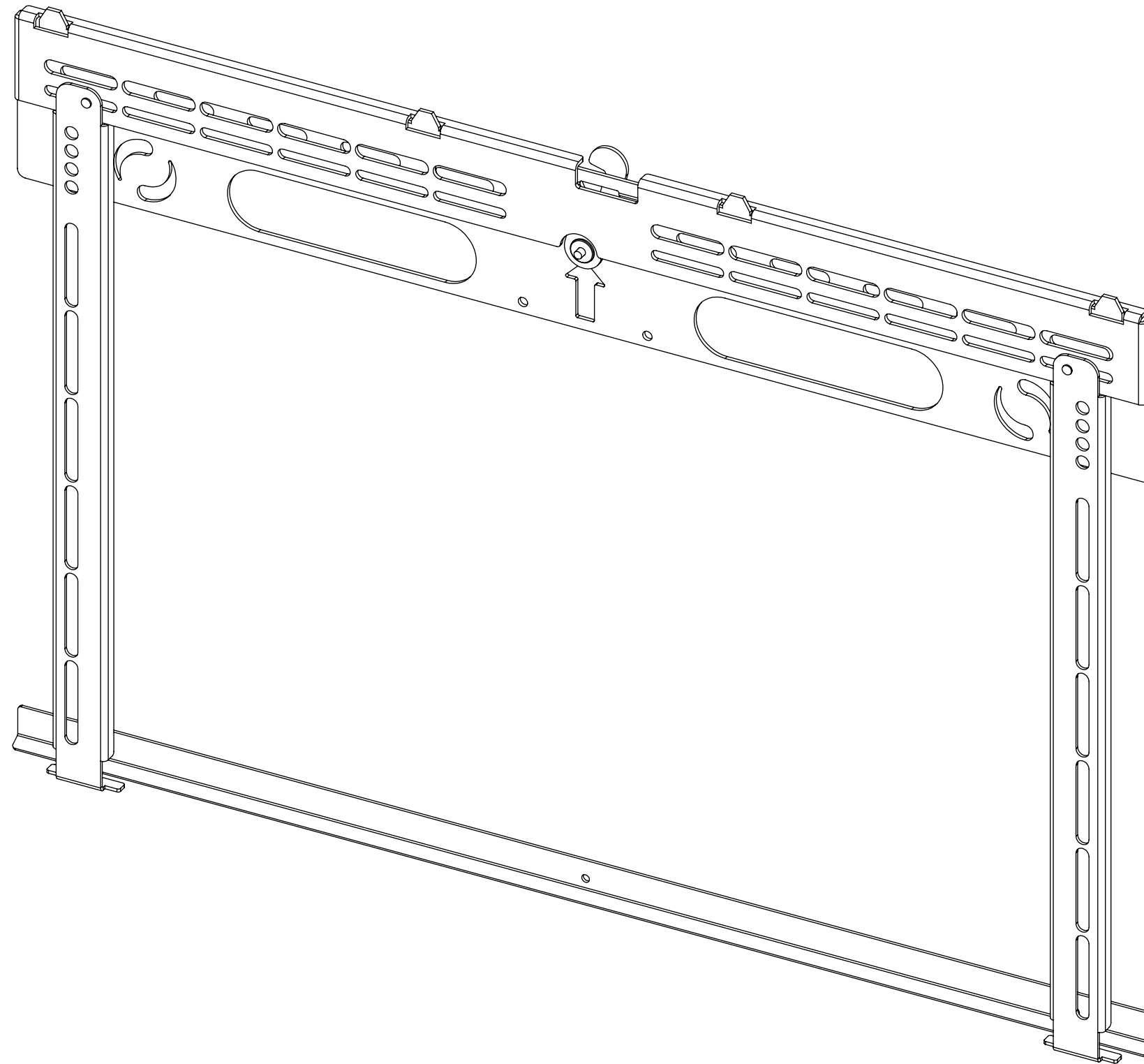


V74-MO

MARINE OUTDOOR FIXED WALL MOUNT



future automation



V74-MO

MARINE OUTDOOR FIXED WALL MOUNT



future automation

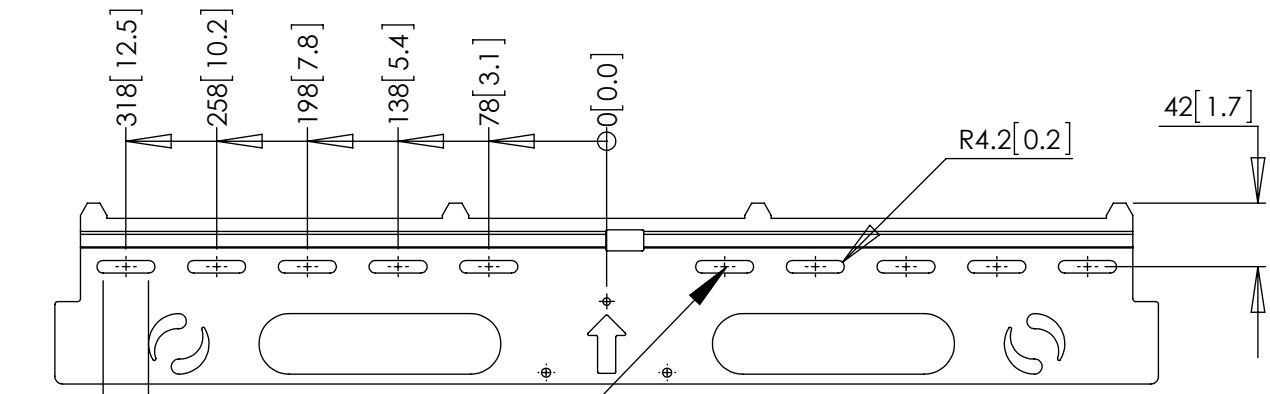
SPECIFICATION	MEASUREMENTS
Maximum Screen Size	Up to 75" Screens
Maximum Weight Capacity	50Kg (110lb)
Depth From Wall	12mm (0.47")
Mounting Patterns Supported	VESA 400, 300, 200, 100 W x 400, 300, 200, 100 H
Package Contents	Mount, Bolt Pack

V74-MO

MARINE OUTDOOR FIXED WALL MOUNT

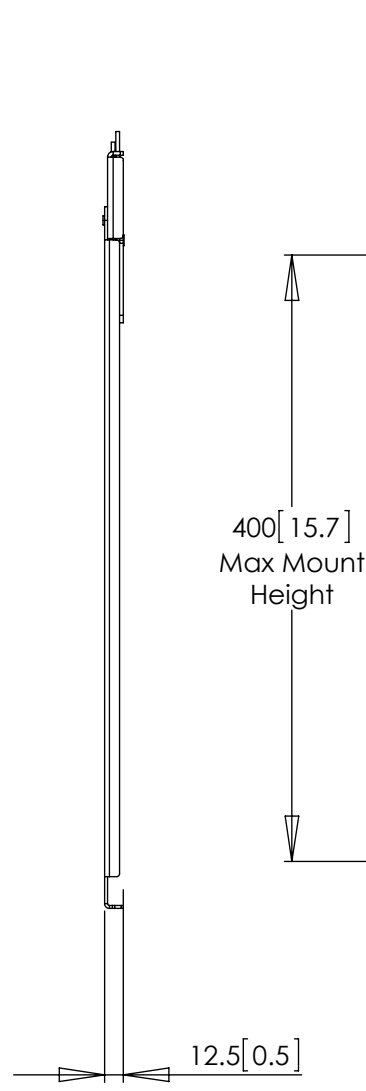
DIMENSIONS

WALL PLATE DIMENSIONS - FRONT

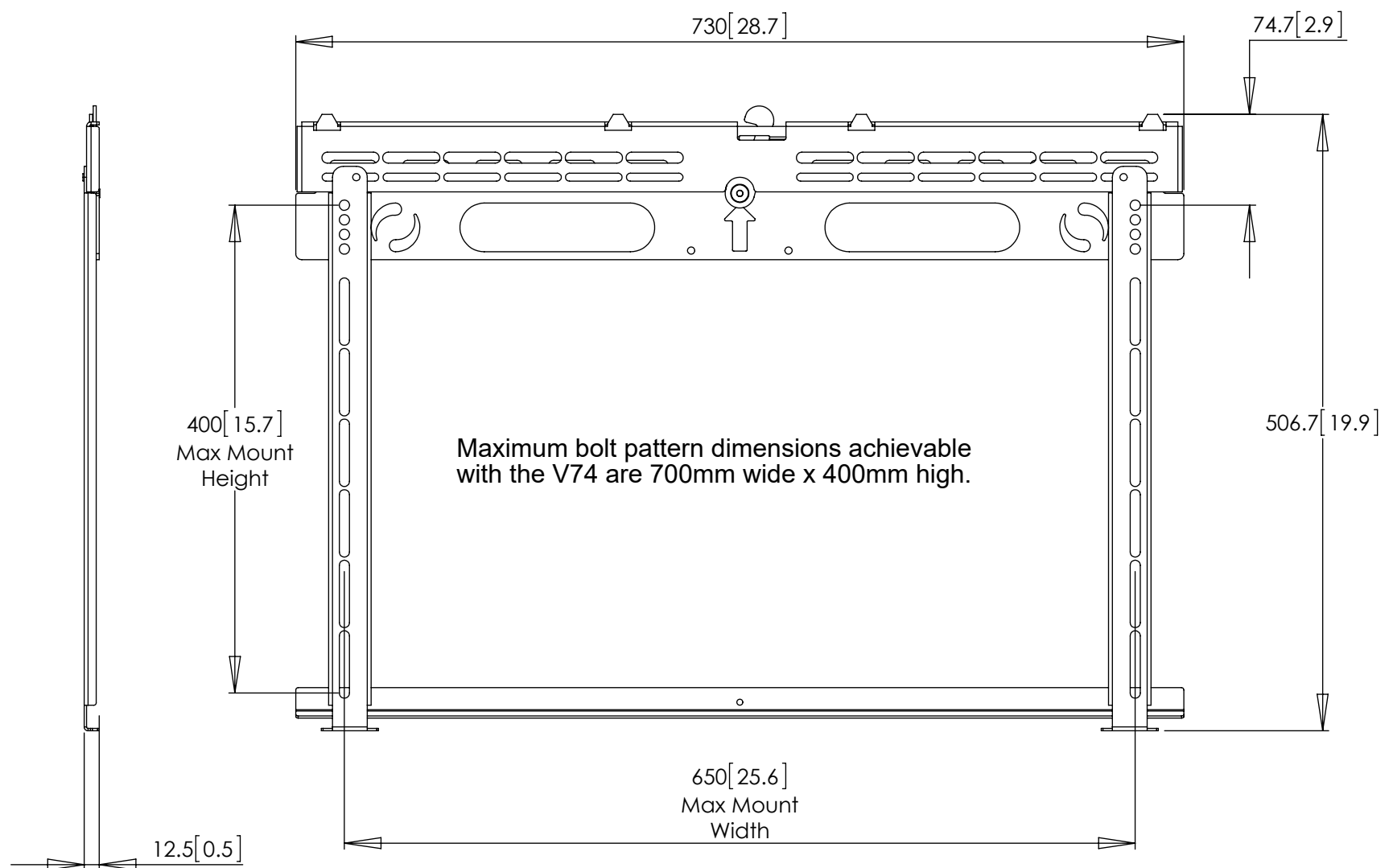


Optional bottom bar - usually required for marine applications only.

SIDE PROFILE



MOUNT DIMENSIONS - FRONT



This bracket supports all VESA formats up to VESA400:

- VESA 100 x 100
- VESA 200 x 100
- VESA 300 x 200
- VESA 300 x 300
- VESA 400 x 400

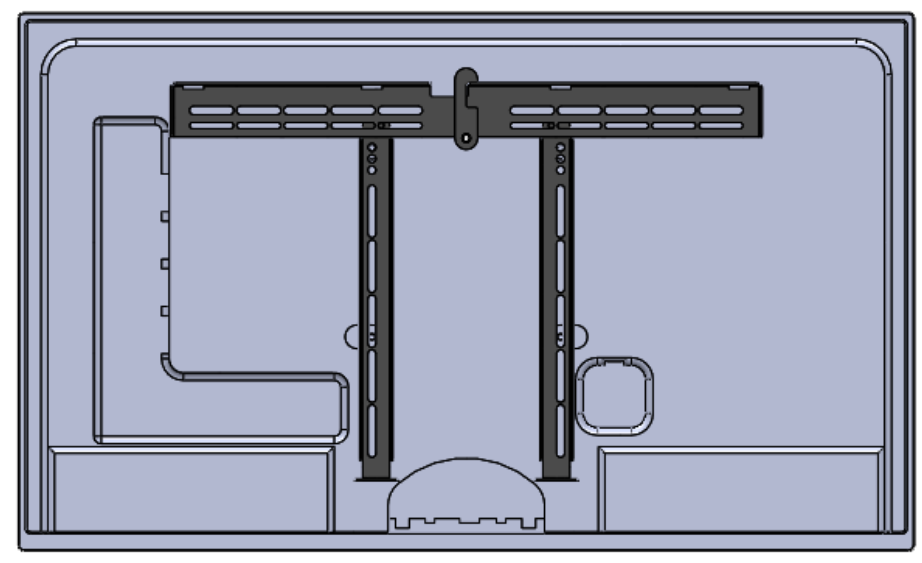
V74-MO

MARINE OUTDOOR FIXED WALL MOUNT

SIMPLE WALL MOUNTING

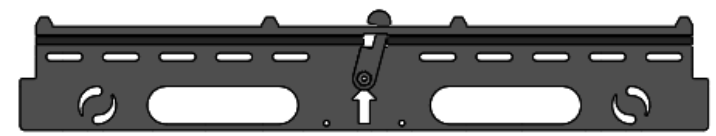
STEP 1

Fix uprights to back of screen and add top bar.



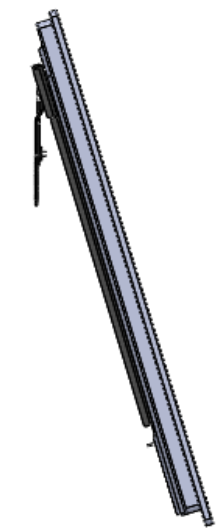
STEP 2

Fix wall plate to wall with suitable fixings .



STEP 3

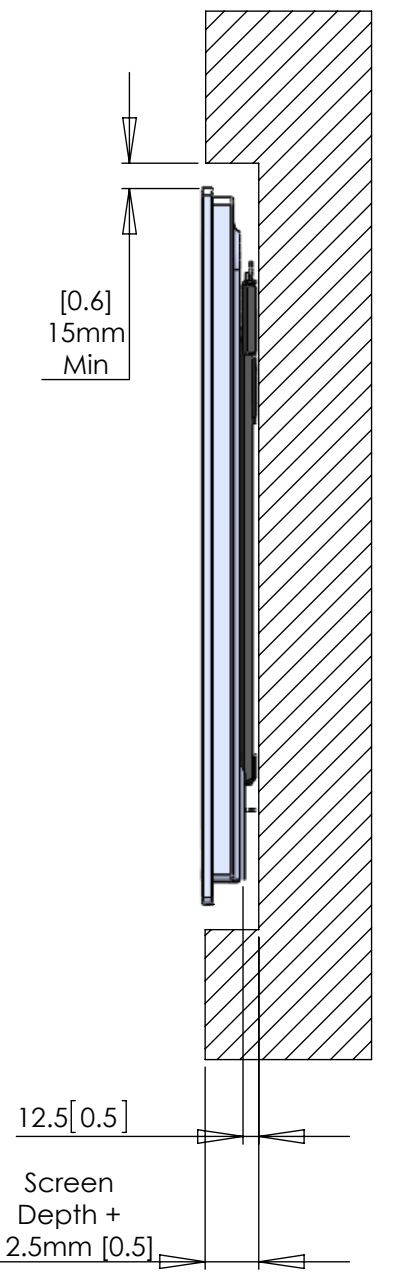
Hook the top beam onto the wall plate and slide over lock tab to secure.



RECESS MOUNTING

Any recess should incorporate a minimum 15mm (0.6") border around the screen so that it can be hooked onto the wall plate.

The screen will drop down 10mm (0.4") when hooked onto the wall plate.



In order to have the screen face flush with the wall the recess will need a depth of 12.5mm (0.5") plus the depth of the screen.